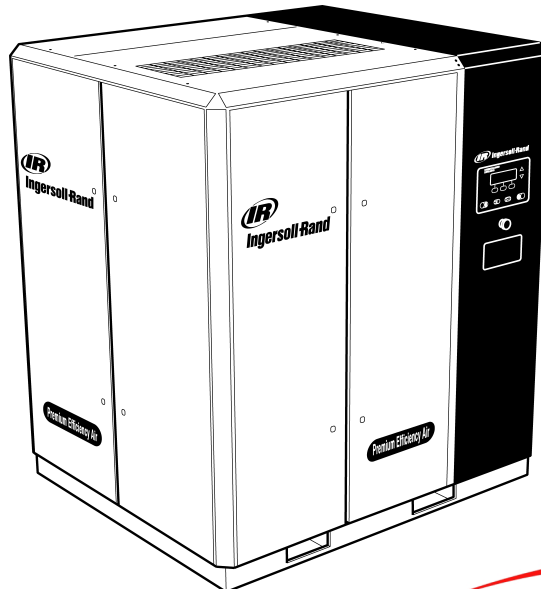




# Ingersoll Rand®

## IRN55K-CC IRN75K-CC IRN75H-CC IRN100H-CC



# NIRVANA™

<b>GB</b>	PARTS CATALOGUE	<b>ES</b>	LISTA DE REPUESTOS
<b>FR</b>	CATALOGUE DE PIÈCES DÉTACHÉES	<b>DK</b>	RESERVEDELSKATALOG
<b>NL</b>	ONDERDELENKATALOGUS	<b>SE</b>	RESERVEDELSKATALOG
<b>DE</b>	ERSATZTEILLISTE	<b>NO</b>	RESERVEDELSKATALOG
<b>PT</b>	LISTA DE PEÇAS	<b>FI</b>	VARAOSALUETTELO
<b>IT</b>	LISTA RICAMBI		

N55K-CC SERIAL No : 2750300 →

N75K-CC SERIAL No : 2770650 →

N75H / N100H SERIAL No : NV6100 →

C.C.N. : 54723499  
DATE : FEBRUARY 2004  
REV. : D



# CONTENTS

---

<b>Section</b>	<b>Description</b>	<b>Page</b>	<b>Section</b>	<b>Description</b>	<b>Page</b>
<b>1.0</b>	Abbreviations & symbols	<b>2</b>	<b>8.0</b>	Separation system	<b>35</b>
<b>2.0</b>	General information	<b>3</b>	<b>9.0</b>	Electrical system	<b>NO TAG</b>
<b>3.0</b>	Recommended parts	<b>4</b>	<b>10.0</b>	Options	<b>38</b>
<b>4.0</b>	Enclosure	<b>26</b>	<b>11.0</b>	Literature	<b>42</b>
<b>5.0</b>	Airend / Motor / Inlet system	<b>27</b>	<b>12.0</b>	Glossary of non-illustrated items	<b>43</b>
<b>6.0</b>	Cooling system	<b>29</b>	<b>13.0</b>	Fasteners index / Tube fittings index	<b>44</b>
<b>7.0</b>	Oil / Air piping	<b>31</b>	<b>14.0</b>	CCN index	<b>45</b>

## 1.0 ABBREVIATIONS & SYMBOLS

---

<b>-&gt;####</b>	Up to Serial No.	<b>BR</b>	Brazil
<b>####-&gt;</b>	From Serial No.	<b>CN</b>	China
<b>####</b>	Contact Ingersoll-Rand for Serial No.	<b>DE</b>	Germany
<b>*</b>	Not illustrated	<b>DK</b>	Denmark
<b>†</b>	Option	<b>ES</b>	Spain
<b>NR</b>	Not required	<b>FI</b>	Finland
<b>AR</b>	As required	<b>FR</b>	France
<b>SM</b>	Sitemaster/Sitepack	<b>GB</b>	Great Britain (English)
<b>HA</b>	High ambient machine	<b>IT</b>	Italy
<b>WC</b>	Watercooled machine	<b>NL</b>	Holland
<b>AC</b>	Aircooled machine	<b>NO</b>	Norway
<b>ERS</b>	Energy recovery system	<b>PT</b>	Portugal
<b>T.E.F.C.</b>	Totally enclosed fan cooled motor (IP54)	<b>SE</b>	Sweden
<b>O.D.P.</b>	Open drip proof motor	<b>US</b>	United States
<b>T.E.T.C.</b>	Totally enclosed tube cooled motor		
<b>E.S.A.</b>	European served area		
<b>D.S.A.</b>	Davidson served area		

## 2.0 GENERAL INFORMATION

---

### General

---

This manual, which contains an illustrated parts breakdown, has been prepared as an aid in identifying and ordering parts for the machine. All of the parts, listed in the parts breakdown, are manufactured with the same precision as the original equipment.

Ingersoll-Rand Company service facilities and parts are available worldwide. There are Ingersoll-Rand Company Branch Offices and authorized distributors located in the principle cities of the United States. In Canada, our customers are serviced by the Canadian Ingersoll-Rand Company, Limited. There are also Ingersoll-Rand Company subsidiaries and authorized distributors located in the principle cities throughout the world.

### Description

---

The illustrated parts breakdown identifies the various assemblies, sub-assemblies and detailed parts which make up this machine.

A series of illustrations show each part clearly and in its correct location relative to the other parts in the illustration. Each part in an illustration is referenced with a number. The number, description and quantity needed per assembly are listed in numerical order on the following pages.

### How to use this parts manual

---

1. Locate the desired illustration.
2. Locate the part on the illustration by visual identification and note the reference number.
3. Find the reference number on the tabulated page, along with the Part Number and Description.

### How to order parts

---

In order that all avoidable errors be eliminated when ordering parts, please specify the following:

1. The model number of the unit as shown on the Compressor Data Plate
2. The serial number of the unit as shown on the Compressor Data Plate
3. The number of this manual
4. The part number, description and quantity needed exactly as listed
5. The motor type, serial number and part number

### 3.0 RECOMMENDED PARTS

Item	ccn	Qty.	Description	Item	ccn	Qty.	Description
<b>KITS</b>				<b>VALVES</b>			
1-4	42511139	1	<b>KIT – 4000 HOURS</b>	54687835		1	<b>KIT – INLET VALVE</b>
		1	Element, air filter	54686803		1	<b>KIT, MINIMUM PRESSURE VALVE</b>
		4	Filter, ULTRA COOLANT	54664578		1	Valve, blowdown
		1	Element, separator Kit	54630546		1	Valve, relief CE
		1	PDM Filter	54699459		1	Valve, relief ASME
		1	ULTRA COOLANT test kit	54658315		1	Valve, drain
	42516708	1	<b>PM KIT – 8000 HOURS</b>	54700554		1	Valve, scavenge orifice check
		1	Hose, cooler inlet Oil	54702212		1	Valve, thermostatic
		1	Hose, cooler inlet Air				
		1	Hose, cooler out Oil				
54687835		1	<b>KIT – INLET VALVE</b>				
54664578		1	Valve, blowdown				
54686803		1	<b>KIT, MINIMUM PRESSURE VALVE</b>				
<b>CONSUMABLES</b>				<b>HOSES</b>			
54672654		2	Filter, ULTRA COOLANT	54653043		1	Hose, Filter, air
54672530		1	Element, air filter	54653068		1	Hose, Filter, air (Inlet)
54672563		1	Element (Primary) (High-dust)	54653092		1	Hose, Filter, air (High-dust)
54672597		1	Element (Secondary) (High-dust)	54653118		1	Hose, Filter, air (High-dust)
38008587		1	Kit Element, separator ('O' Ring included)	39572409		1	Hose, scavenge
54721329		1	Filter, drive	39573118		1	Hose, blowdown
				54658216		1	Hose, cooler inlet Oil
				54658091		1	Hose, cooler inlet Air
				54658232		1	Hose, cooler out Oil
<b>LUBRICANT</b>				<b>MOTOR</b>			
92837085		1l	ULTRA COOLANT	22087738		1	Motor, stator N55k N75H (380–480V)
92692284		5l	ULTRA COOLANT	22073704		1	Motor, stator N75k N100H (380–480V)
92692292		25l	ULTRA COOLANT	93473312		1	Blower, motor 4Kw 50Hz
39433735		5gal	ULTRA COOLANT	39493754		1	Blower, motor 5HP 200V TEFC 60Hz
39433743		55gal	ULTRA COOLANT	39493093		1	Blower, motor 5HP 230/460/575V 60Hz
<b>AIREND</b>				39496096			
54700067		1	Kit – airend shaft seal			1	Blower, motor 5HP 380V TEFC 60Hz
54742051		1	Airend (exchange)				

### 3.0 RECOMMENDED PARTS

#### FIELD OPTION KITS

42509844	1	High dust filter upgrade kit
22064646	1	Remote Filter
42508978	1	<b>KIT – P.O.R.O</b>
42509000	1	Remote start/stop kit
42538355	1	Intake panel filter
22076913	1	Remote pressure sensor

#### DIAGNOSTIC

88168265	1	ULTRA COOLANT check kit (Europe / Africa)
37990236	6	ULTRA COOLANT test kit (Americas)
89439285	1	ULTRA COOLANT test kit (Asia)

#### PAINT

38019840	12	Touch up paint, spray can, beige
38019824	12	Touch up paint, spray can, black

### 3.0 PIÈCES DE RECHANGE RECOMMANDÉES

Article	ccn	Quantité	Description	Article	ccn	Quantité	Description
<b>KITS</b>				<b>VANNES</b>			
1-4	42511139	1	<b>KIT 4000 HRS</b>	54687835	1	1	<b>KIT-CLAPET D'ADMISSION</b>
		1	Elément, filtre à air	54686803	1	1	<b>KIT - VANNE PRESSION MINIMUM</b>
		4	Filtre, ULTRA COOLANT	54664578	1	1	Electrovanne de mise à vide
		1	Elément séparateur Kit	54630546	1	1	Soupape de sûreté CE
		1	PDM Filtre	54699459	1	1	Soupape de sûreté ASME
		1	Kit d'essai de l' ULTRA COOLANT	54658315	1	1	Vanne de purge
	42516708	1	<b>PM KIT 8000 HRS</b>	54700554	1	1	Clapet anti-retour de l'orifice de balayage
		1	Tuyauterie flexible d'orifice d'admission du refroidisseur Huile	54702212	1	1	Soupape thermostatique
		1	Tuyauterie flexible d'orifice d'admission du refroidisseur Air				
		1	Tuyauterie de sortie du refroidisseur Huile				
	54687835	1	<b>KIT-CLAPET D'ADMISSION</b>	<b>TUYAUX FLEXIBLES</b>			
	54664578	1	Electrovanne de mise à vide	54653043	1	1	Flexible Filtre à air
	54686803	1	<b>KIT - VANNE PRESSION MINIMUM</b>	54653068	1	1	Flexible Filtre à air (Admission)
				54653092	1	1	Flexible Filtre à air (Résistant à la grande poussière)
				54653118	1	1	Flexible Filtre à air (Résistant à la grande poussière)
				39572409	1	1	Tuyau flexible de balayage
				39573118	1	1	Tuyauterie de purge
				54658216	1	1	Tuyauterie flexible d'orifice d'admission du refroidisseur Huile
				54658091	1	1	Tuyauterie flexible d'orifice d'admission du refroidisseur Air
				54658232	1	1	Tuyauterie de sortie du refroidisseur Huile
<b>CONSOMMABLES</b>							
	54672654	2	Filtre, ULTRA COOLANT				
	54672530	1	Elément, filtre à air				
	54672563	1	Elément (primaire) (Résistant à la grande poussière)				
	54672597	1	Elément (secondaire) (Résistant à la grande poussière)				
	38008587	1	Kit Elément séparateur (Joint torique inclus)				
	54721329	1	Filtre du dispositif d'entraînement				
<b>GRAISSE</b>				<b>MOTEUR</b>			
	92837085	1l	ULTRA COOLANT	22087738	1	1	Moteur N55k N75H (380-480V)
	92692284	5l	ULTRA COOLANT	22073704	1	1	Moteur N75k N100H (380-480V)
	92692292	25l	ULTRA COOLANT	93473312	1	1	Moteur du ventilateur 4Kw 50Hz
	39433735	5gal	ULTRA COOLANT	39493754	1	1	Moteur du ventilateur 5HP 200V TEFC 60Hz
	39433743	55gal	ULTRA COOLANT	39493093	1	1	Moteur du ventilateur 5HP 230/460/575V 60Hz
				39496096	1	1	Moteur du ventilateur 5HP 380V TEFC 60Hz
<b>AIREND</b>							
	54700067	1	Kit - joint d'arbre-sortie d'air				
	54742051	1	Airend échange standard				



### 3.0 PIÈCES DE RECHANGE RECOMMANDÉES

#### CHAMPS D'OPTIONS

42509844	1	Kits d'extension du filtre résistant à la grande poussière
22064646	1	Filtre
42508978	1	<b>KIT – P.O.R.O</b>
42509000	1	<b>KIT – RFI FILTRES</b>
42538355	1	Filtre
22076913	1	Capteur de pression

#### DIAGNOSTIQUE

88168265	1	Kit de vérification de l'ULTRA COOLANT (Europe / Afrique)
37990236	6	Kit d'essai de l'ULTRA COOLANT (Amérique)
89439285	1	Kit d'essai de l'ULTRA COOLANT (Asie)

#### PEINTURE

38019840	12	Pulvérisateur de peinture de retouche beige
38019824	12	Pulvérisateur de peinture de retouche noire.

### 3.0 AANBEVOLEN ONDERDELEN

Artikel	ccn	Aant.	Beschrijving	Artikel	ccn	Aant.	Beschrijving
<b>PAKKETTEN</b>				<b>AFSLUITERS</b>			
1-4	42511139	1	<b>4000 SET</b>	54687835	1	1	<b>PAKKET- INLAATKLEP</b>
		1	Luchtfilter element	54686803	1	1	<b>KIT - MINIMUMDRUKKLEP</b>
		4	Filter, ULTRA COOLANT	54664578	1	1	Afblaasklep
		1	Afscheider element Kit	54630546	1	1	Ontlastklep CE
		1	PDM Filter	54699459	1	1	Ontlastklep ASME
		1	ULTRA COOLANT test pakket	54658315	1	1	Aftapklep
	42516708	1	<b>PM 8000 SET</b>	54700554	1	1	Klep, spoelopening controle
		1	Slang, koeler inlaat	54702212	1	1	Thermostatische regelklep
			Smeermiddel				
		1	Slang, koeler inlaat				
			Lucht				
		1	Slang, koeler uitlaat				
			Smeermiddel				
	54687835	1	<b>PAKKET- INLAATKLEP</b>				
	54664578	1	Afblaasklep				
	54686803	1	<b>KIT - MINIMUMDRUKKLEP</b>				
<b>VERBRUIKARTIKELEN</b>				<b>SLANGEN</b>			
54672654		2	Filter, ULTRA COOLANT	54653043	1	1	Slang Luchtfilter
54672530		1	Luchtfilter element	54653068	1	1	Slang Luchtfilter (Inlaat)
54672563		1	Element (Eerste) (hoog stofgehalte)	54653092	1	1	Slang Luchtfilter (hoog stofgehalte)
54672597		1	Element (Tweede) (hoog stofgehalte)	54653118	1	1	Slang Luchtfilter (hoog stofgehalte)
38008587		1	Kit Afscheider element (m.i.v. O-ring)	39572409	1	1	Slang, spoel
54721329		1	Filter, aandrijving	39573118	1	1	Slang, afblaas
				54658216	1	1	Slang, koeler inlaat
							Smeermiddel
				54658091	1	1	Slang, koeler inlaat
							Lucht
				54658232	1	1	Slang, koeler uitlaat
							Smeermiddel
<b>SMEERMIDDEL</b>				<b>MOTOR</b>			
92837085		1l	ULTRA COOLANT	22087738	1	1	Motor N55k N75H (380-480V)
92692284		5l	ULTRA COOLANT	22073704	1	1	Motor N75k N100H (380-480V)
92692292		25l	ULTRA COOLANT	93473312	1	1	Ventilatormotor 4Kw 50Hz
39433735		5gal	ULTRA COOLANT	39493754	1	1	Ventilatormotor 5HP 200V TEFC 60Hz
39433743		55gal	ULTRA COOLANT	39493093	1	1	Ventilatormotor 5HP 230/460/575V 60Hz
				39496096	1	1	Ventilatormotor 5HP 380V TEFC 60Hz
<b>SCHROEFGEDEELTE</b>							
54700067		1	Kit - voor airend as keering				
54742051		1	Reserve schroefgedeelte				

### 3.0 AANBEVOLEN ONDERDELEN

#### BUITENDIENST OPTIES

42509844	1	Hoog stofgehalte ombouwpakket
22064646	1	Filter
42508978	1	<b>KIT – P.O.R.O</b>
42509000	1	<b>KIT – FILTER RFI</b>
42538355	1	Filter
22076913	1	Drucksensor

#### DIAGNOSE

88168265	1	ULTRA COOLANT controle pakket (Europa / Afrika)
37990236	6	ULTRA COOLANT test pakket  (Noord en Zuid Amerika)
89439285	1	ULTRA COOLANT test pakket  (Azië)

#### LAK

38019840	12	Bijstiplak, spuitbus, beige
38019824	12	Bijstiplak, spuitbus, zwart

### 3.0 EMPFOHLENE TEILE

Posten	ccn	Menge	Beschreibung	Posten	ccn	Menge	Beschreibung
<b>KITS</b>				<b>VENTILE</b>			
1-4	42511139	1	<b>KIT – 4000 BETRIEBSSTUNDEN</b>	54687835	1	1	<b>KIT – EINLASSVENTIL</b>
		1	Luftfilterelement	54686803	1	1	<b>REPARATURSATZ, MIN-DESTDRUCKHALTEVENTIL</b>
		4	Kühlmittelfilterelement	54664578	1	1	Abblaseventil
		1	Abscheiderselement Bausatz	54630546	1	1	Entlastungsventil CE
		1	PDM Filter	54699459	1	1	Entlastungsventil ASME
		1	ULTRA COOLANT Test-Kit	54658315	1	1	Ablassventil
	42516708	1	<b>PM KIT – 8000 BETRIEBSSTUNDEN</b>	54700554	1	1	Ventil, Spülöffnungsrückschlag
		1	Schlauch, Kühlereinlass-Öl	54702212	1	1	Thermosatventil
		1	Schlauch, Kühlereinlass-Luft				
		1	Schlauch, Kühlerauslass-Öl				
	54687835	1	<b>KIT – EINLASSVENTIL</b>				
	54664578	1	Abblaseventil				
	54686803	1	<b>REPARATURSATZ, MIN-DESTDRUCKHALTEVENTIL</b>				
<b>VERBRAUCHSSTOFFE</b>				<b>SCHLÄUCHE</b>			
	54672654	2	Kühlmittelfilterelement	54653043	1	1	Schlauch Luftfilter
	54672530	1	Luftfilterelement	54653068	1	1	Schlauch Luftfilter (Einlass)
	54672563	1	Primärelement (für in hohem Maße staubige Umgebungen)	54653092	1	1	Schlauch Luftfilter (für in hohem Maße staubige Umgebungen)
	54672597	1	Sekundärelement (für in hohem Maße staubige Umgebungen)	54653118	1	1	Schlauch Luftfilter (für in hohem Maße staubige Umgebungen)
	38008587	1	Bausatz Abscheiderselement (O-Ring mitgeliefert)	39572409	1	1	Schlauch, Spül-
	54721329	1	Filter, Antrieb	39573118	1	1	Schlauch, Ausblas-
				54658216	1	1	Schlauch, Kühlereinlass-Öl
				54658091	1	1	Schlauch, Kühlereinlass-Luft
				54658232	1	1	Schlauch, Kühlerauslass-Öl
<b>SCHMIERMITTEL</b>				<b>MOTOR</b>			
	92837085	1l	ULTRA COOLANT	22087738	1	1	Motor N55k N75H (380-480V)
	92692284	5l	ULTRA COOLANT	22073704	1	1	Motor N75k N100H (380-480V)
	92692292	25l	ULTRA COOLANT	93473312	1	1	Gebläsemotor 4Kw 50Hz
	39433735	5gal	ULTRA COOLANT	39493754	1	1	Gebläsemotor 5HP 200V TEFC 60Hz
	39433743	55gal	ULTRA COOLANT	39493093	1	1	Gebläsemotor 5HP 230/460/575V 60Hz
				39496096	1	1	Gebläsemotor 5HP 380V TEFC 60Hz
<b>VERDICHTERBLOCK</b>							
	54700067	1	reparatursatz, wellendichtung				
	54742051	1	Austausch-Verdichterblock				

## 3.0 EMPFOHLENE TEILE

### FELDOPTIONEN

42509844	1	Filter-Upgrade-Kit für in hohem Maße staubige Umgebungen
22064646	1	Filter
42508978	1	<b>P.O.R.O – SATZ</b>
42509000	1	<b>SATZ – FILTER RFI</b>
42538355	1	Filter
22076913	1	Drucksensor

### DIAGNOSE

88168265	1	ULTRA COOLANT Prüf-Kit (Europa / Afrika)
37990236	6	ULTRA COOLANT Test-Kit (Nord-/Südamerika)
89439285	1	ULTRA COOLANT Test-Kit (Asien)

### LACK

38019840	12	Ausbesserungslack, Sprühdose, beige
38019824	12	Ausbesserungslack, Sprühdose, schwarz.

### 3.0 PEÇAS RECOMENDADAS

Item	ccn	Qty.	Descrição	Item	ccn	Qty.	Descrição
<b>KITS</b>				<b>VÁLVULAS</b>			
1-4	42511139	1	<b>KIT 4000</b>	54687835	1	1	<b>KIT-VÁLVULA DE ENTRADA</b>
		1	Elemento de filtro de ar	54686803	1	1	<b>KIT - VALVULA DE PRESSÃO MINIMA</b>
		4	Filtro de ULTRA COOLANT	54664578	1	1	Válvula de descarga
		1	Elemento, separador Kit	54630546	1	1	Válvula de descarga CE
		1	PDM Filtro	54699459	1	1	Válvula de descarga ASME
		1	Kit teste do ULTRA COOLANT	54658315	1	1	Válvula de purga
	42516708	1	<b>PM KIT 8000</b>	54700554	1	1	Válvula, verificação do orifício de retorno
		1	Mangueira, entrada do refrigerador Lubrificante	54702212	1	1	Válvula termostática
		1	Mangueira, entrada do refrigerador Ar				
		1	Mangueira, saída do refrigerador Lubrificante				
	54687835	1	<b>KIT-VÁLVULA DE ENTRADA</b>				
	54664578	1	Válvula de descarga				
	54686803	1	<b>KIT - VALVULA DE PRESSÃO MINIMA</b>				
<b>CONSUMÍVEIS</b>				<b>MANGUEIRAS</b>			
	54672654	2	Filtro de ULTRA COOLANT	54653043	1	1	Mangueira Filtro de ar
	54672530	1	Elemento de filtro de ar	54653068	1	1	Mangueira Filtro de ar (Entrada)
	54672563	1	Elemento (Primário) (resistente a alta-poeira)	54653092	1	1	Mangueira Filtro de ar (resistente a alta-poeira)
	54672597	1	Elemento (Secundário) (resistente a alta-poeira)	54653118	1	1	Mangueira Filtro de ar (resistente a alta-poeira)
	38008587	1	Kit Elemento, separador (inclui O-ring)	39572409	1	1	Mangueira, retorno
	54721329	1	Filtro, accionamento	39573118	1	1	Mangueira, descarga
				54658216	1	1	Mangueira, entrada do refrigerador Lubrificante
				54658091	1	1	Mangueira, entrada do refrigerador Ar
				54658232	1	1	Mangueira, saída do refrigerador Lubrificante
<b>LUBRIFICANTE</b>				<b>MOTOR</b>			
	92837085	1l	ULTRA COOLANT	22087738	1	1	Motor N55k N75H (380-480V)
	92692284	5l	ULTRA COOLANT	22073704	1	1	Motor N75k N100H (380-480V)
	92692292	25l	ULTRA COOLANT	93473312	1	1	Soprador, motor 4Kw 50Hz
	39433735	5gal	ULTRA COOLANT	39493754	1	1	Soprador, motor 5HP 200V TEFC 60Hz
	39433743	55gal	ULTRA COOLANT	39493093	1	1	Soprador, motor 5HP 230/460/575V 60Hz
				39496096	1	1	Soprador, motor 5HP 380V TEFC 60Hz
<b>AIREND</b>							
	54700067	1	Kit - retentor veio airend				
	54742051	1	Airend de substituição				

### 3.0 PEÇAS RECOMENDADAS

#### OPÇÕES DE CAMPO

42509844	1	Kit de actualização do filtro resistente a alta poeira
22064646	1	Filtro
42508978	1	<b>KIT – P.O.R.O</b>
42509000	1	<b>KIT – RFI FILTRO</b>
42538355	1	Filtro
22076913	1	Sensor de pressão

#### DIAGNÓSTICO

88168265	1	Kit de verificação do ULTRA COOLANT (Europa/África)
37990236	6	Kit teste do ULTRA COOLANT (Américas)
89439285	1	Kit teste do ULTRA COOLANT (Ásia)

#### PINTURA

38019840	12	Tinta de retoque, lata tinta de pulverizar, bege
38019824	12	Tinta de retoque, lata tinta de pulverizar, preto

### 3.0 PARTI DI RICAMBIO RACCOMANDATE

Articolo	ccn	Qtà.	Descrizione	Articolo	ccn	Qtà.	Descrizione
<b>KIT</b>				<b>VALVOLE</b>			
1-4	42511139	1	<b>KIT 4000</b>	54687835	1	1	<b>KIT-SERVICE, ECONOMIA</b>
		1	Elemento filtro aria	54686803	1	1	<b>KIT - VALVOLA DI MINIMA PRESSIONE</b>
		4	Filtro, ULTRA COOLANT	54664578	1	1	Valvola di scarico
		1	Elemento separatore Kit	54630546	1	1	Valvola di sicurezza CE
		1	PDM Filtro	54699459	1	1	Valvola di sicurezza ASME
		1	Kit test ULTRA COOLANT	54658315	1	1	Valvola di drenaggio
	42516708	1	<b>PM KIT 8000</b>	54700554	1	1	Valvola, controllo. orifizio di scarico
		1	Flessibile, ingresso radiatore	54702212	1	1	Valvola termostatica
			Olie				
		1	Flessibile, ingresso radiatore				
			Aria				
		1	Flessibile, uscita radiatore				
			Olie				
	54687835	1	<b>KIT-SERVICE, ECONOMIA</b>				
	54664578	1	Valvola di scarico				
	54686803	1	<b>KIT - VALVOLA DI MINIMA PRESSIONE</b>				
<b>CONSUMABILI</b>				<b>FLESSIBILI</b>			
	54672654	2	Filtro, ULTRA COOLANT	54653043	1	1	Tubo, flessibile Filtro aria
	54672530	1	Elemento filtro aria	54653068	1	1	Tubo, flessibile Filtro aria (Ingresso)
	54672563	1	Elemento (primario) (Alto livello di polvere)	54653092	1	1	Tubo, flessibile Filtro aria (Alto livello di polvere)
	54672597	1	Elemento (secondario) (Alto livello di polvere)	54653118	1	1	Tubo, flessibile Filtro aria (Alto livello di polvere)
	38008587	1	Kit Elemento separatore (O-ring non incluso)	39572409	1	1	Flessibile, scarico
	54721329	1	Filtro, comando	39573118	1	1	Flessibile, scarico
				54658216	1	1	Flessibile, ingresso radiatore
							Olie
				54658091	1	1	Flessibile, ingresso radiatore
							Aria
				54658232	1	1	Flessibile, uscita radiatore
							Olie
<b>LUBRIFICANTI</b>				<b>MOTORE</b>			
	92837085	1l	ULTRA COOLANT	22087738	1	1	Motore N55k N75H (380-480V)
	92692284	5l	ULTRA COOLANT	22073704	1	1	Motore N75k N100H (380-480V)
	92692292	25l	ULTRA COOLANT	93473312	1	1	Soffiante, motore 4Kw 50Hz
	39433735	5gal	ULTRA COOLANT	39493754	1	1	Soffiante, motore 5HP 200V TEFC 60Hz
	39433743	55gal	ULTRA COOLANT	39493093	1	1	Soffiante, motore 5HP 230/460/575V 60Hz
				39496096	1	1	Soffiante, motore 5HP 380V TEFC 60Hz
<b>GRUPPO VITI</b>							
	54700067	1	Kit - paraolio aierend				
	54742051	1	Gruppo viti (sostituzione)				



### 3.0 PARTI DI RICAMBIO RACCOMANDATE

#### OPZIONI DI CAMPO

42509844	1	Kit potenziamento filtro alto livello di polvere
22064646	1	Filtro
42508978	1	<b>KIT – P.O.R.O</b>
42509000	1	<b>KIT – RFI FILTRI</b>
42538355	1	Filtro
22076913	1	Sensore pressione

#### DIAGNOSTICA

88168265	1	Kit di controllo ULTRA COOLANT (Europa / Africa)
37990236	6	Kit test ULTRA COOLANT (Americhe)
89439285	1	Kit test ULTRA COOLANT (Asia)

#### VERNICE

38019840	12	Vernice di ritocco, barattolo spray. beige
38019824	12	Vernice di ritocco, barattolo spray. Nero.

### 3.0 PIEZAS RECOMENDADAS

Elemento	ccn	Cantidad	Descripción	Elemento	ccn	Cantidad	Descripción
<b>KITS</b>				<b>VALVULAS</b>			
1-4	42511139	1	<b>KIT DE 4000 HORAS</b>	54687835	1	1	<b>KIT-VALVULA DE ADMISION</b>
		1	Elemento filtro de aire	54686803	1	1	<b>KIT – VÁLVULA DE PRECIÓN MINIMA</b>
		4	Filtro, ULTRA COOLANT	54664578	1	1	Válvula de purga
		1	Elemento separador Kit	54630546	1	1	Válvula de desahogo CE
		1	PDM Filtro	54699459	1	1	Válvula de desahogo ASME
		1	Kit de prueba del ULTRA COOLANT	54658315	1	1	Válvula de vaciado
	42516708	1	<b>PM KIT DE 8000 HORAS</b>	54700554	1	1	Válvula de retención orificio de barrido.
		1	Manguito entrada refrigerador	54702212	1	1	Válvula termostática
			Lubricante				
		1	Manguito entrada refrigerador Aire				
		1	Manguito salida refrigerador Lubricante				
	54687835	1	<b>KIT-VALVULA DE ADMISION</b>				
	54664578	1	Válvula de purga				
	54686803	1	<b>KIT – VÁLVULA DE PRECIÓN MINIMA</b>				
<b>CONSUMIBLES</b>				<b>MANGUITOS</b>			
	54672654	2	Filtro, ULTRA COOLANT	54653043	1	1	Manguera Filtro de aire
	54672530	1	Elemento filtro de aire	54653068	1	1	Manguera Filtro de aire (Entrada)
	54672563	1	Elemento (primario) (Alta resistencia al polvo).	54653092	1	1	Manguera Filtro de aire (Alta resistencia al polvo).
	54672597	1	Elemento (secundario) (Alta resistencia al polvo).	54653118	1	1	Manguera Filtro de aire (Alta resistencia al polvo).
	38008587	1	Kit Elemento separador (Junta tórica incluida)	39572409	1	1	Manguito de barrido
	54721329	1	Accionamiento del filtro	39573118	1	1	Manguito de purga
				54658216	1	1	Manguito entrada refrigerador Lubricante
				54658091	1	1	Manguito entrada refrigerador Aire
				54658232	1	1	Manguito salida refrigerador Lubricante
<b>LUBRICANTE</b>				<b>MOTOR</b>			
	92837085	1l	ULTRA COOLANT	22087738	1	1	Motor N55k N75H (380-480V)
	92692284	5l	ULTRA COOLANT	22073704	1	1	Motor N75k N100H (380-480V)
	92692292	25l	ULTRA COOLANT	93473312	1	1	Motor del ventilador 4Kw 50Hz
	39433735	5gal	ULTRA COOLANT	39493754	1	1	Motor del ventilador 5HP 200V TEFC 60Hz
	39433743	55gal	ULTRA COOLANT	39493093	1	1	Motor del ventilador 5HP 230/460/575V 60Hz
<b>AIREND</b>				39496096	1	1	Motor del ventilador 5HP 380V TEFC 60Hz
	54700067	1	Kit sello de cabeza compresora				
	54742051	1	Airend (Reacondicionado)				

### 3.0 PIEZAS RECOMENDADAS

#### OPCIONES DE CAMPO

42509844	1	Kit de mejora del filtro de alta resistencia al polvo
22064646	1	Filtro
42508978	1	<b>JUEGO – P.O.R.O</b>
42509000	1	<b>KIT DE FILTROS RFI</b>
42538355	1	Filtro
22076913	1	Sensor de presión

#### DIAGNOSTICO

88168265	1	Kit de verificación del ULTRA COOLANT (Europa / Africa)
37990236	6	Kit de prueba del ULTRA COOLANT (Toda América)
89439285	1	Kit de prueba del ULTRA COOLANT (Asia)

#### PINTURA

38019840	12	Bote aerosol de pintura para retocar, beige
38019824	12	Bote aerosol de pintura para retocar, negro.

### 3.0 ANBEFALEDE DELE

Emne	ccn	Mængde	Beskrivelse	Emne	ccn	Mængde	Beskrivelse
<b>SÆT</b>				<b>VENTILER</b>			
1-4	42511139	1	<b>4000-SÆT</b>	54687835	1		<b>SÆT – INDGANGSVENTIL</b>
		1	Luffilterelement	54686803	1		<b>KIT – TRYKVENTIL MINIMUM</b>
		4	Filter, ULTRA COOLANT	54664578	1		Blow down ventil
		1	Filter element, separator	54630546	1		Overtryksventil CE
			Reparationssæt	54699459	1		Overtryksventil ASME
		1	PDM Filter	54658315	1		Drænventil
		1	ULTRA COOLANT prøvesæt	54700554	1		Ventil, udluftningsåbningskontrol.
	42516708	1	<b>PM 8000-SÆT</b>	54702212	1		Termostatventil
		1	Slange, køleindtag				
			Olie				
		1	Slange, køleindtag				
			Luft				
		1	Slange, køler ud				
			Olie				
	54687835	1	<b>SÆT – INDGANGSVENTIL</b>				
	54664578	1	Blow down ventil				
	54686803	1	<b>KIT – TRYKVENTIL MINIMUM</b>				
<b>ENGANGSEMNER</b>				<b>SLANGER</b>			
	54672654	2	Filter, ULTRA COOLANT	54653043	1		Slange Luffilter
	54672530	1	Luffilterelement	54653068	1		Slange Luffilter (Indtag)
	54672563	1	Element (primært) (Højstøvs)	54653092	1		Slange Luffilter (Højstøvs)
	54672597	1	Element (sekundært) (Højstøvs)	54653118	1		Slange Luffilter (Højstøvs)
	38008587	1	Reparationssæt Filter element, separator (O-ring vedlagt)	39572409	1		Slange, udluftning
	54721329	1	Filter, drev	39573118	1		Slange, afblæsning
				54658216	1		Slange, køleindtag  Olie
				54658091	1		Slange, køleindtag  Luft
				54658232	1		Slange, køler ud Olie
<b>SMØREMIDDEL</b>				<b>MOTOR</b>			
	92837085	1l	ULTRA COOLANT	22087738	1		Motor N55k N75H (380–480V)
	92692284	5l	ULTRA COOLANT	22073704	1		Motor N75k N100H (380–480V)
	92692292	25l	ULTRA COOLANT	93473312	1		Blæser, motor 4Kw 50Hz
	39433735	5gal	ULTRA COOLANT	39493754	1		Blæser, motor 5HP 200V TEFC 60Hz
	39433743	55gal	ULTRA COOLANT	39493093	1		Blæser, motor 5HP 230/460/575V 60Hz
				39496096	1		Blæser, motor 5HP 380V TEFC 60Hz
<b>LUFTENDE</b>							
	54700067	1	reparationssæt – luftende aksel pakning				
	54742051	1	Luftende ombyt.				

### 3.0 ANBEFALEDE DELE

#### FELTMULIGHEDER

42509844	1	Sæt til opgradering af højstøvsfilter
22064646	1	Filter
42508978	1	<b>KIT – P.O.R.O</b>
42509000	1	<b>RFI FILTER KIT</b>
42538355	1	Filter
22076913	1	Trykføler

#### DIAGNOSEUDSTYR

88168265	1	ULTRA COOLANT kontrolsæt (Europa / Afrika)
37990236	6	ULTRA COOLANT prøvesæt (Nord-/Sydamerika)
89439285	1	ULTRA COOLANT prøvesæt (Asien)

#### MALING

38019840	12	Pletreparationsmaling, spraydåse, beige
38019824	12	Pletreparationsmaling, spraydåse, sort.3

### 3.0 REKOMMENDERADE RESERVDELAR

Art.	ccn	Kvant.	Beskrivning	Art.	ccn	Kvant.	Beskrivning
<b>SATS</b>				<b>VENTILER</b>			
1-4	42511139	1	<b>4000 SATS</b>	54687835	1	1	<b>SATS – INLOPPSVENTIL</b>
		1	Lufffilterinsats	54686803	1	1	<b>SATS MINITRYCKSVENTIL</b>
		4	ULTRA COOLANT filter	54664578	1	1	Avblåsningsventil
		1	Separatorfilterinsats	54630546	1	1	Reduceringsventil CE
		1	Sats	54699459	1	1	Reduceringsventil ASME
		1	PDM Filter	54658315	1	1	Dräneringsventil
		1	ULTRA COOLANT testsats	54700554	1	1	Backventil, dräneringsmykning,
	42516708	1	<b>PM 8000 SATS</b>	54702212	1	1	Termostatventil
		1	Slang, kylarinlopp				
			Olja				
		1	Slang, kylarinlopp				
			Luft				
		1	Slang, kylarutlopp				
			Olja				
	54687835	1	<b>SATS – INLOPPSVENTIL</b>				
	54664578	1	Avblåsningsventil				
	54686803	1	<b>SATS MINITRYCKSVENTIL</b>				
<b>FÖRBRUKNINGSVAROR</b>				<b>SLANGAR</b>			
	54672654	2	ULTRA COOLANT filter	54653043	1	1	Slang Lufffilter
	54672530	1	Lufffilterinsats	54653068	1	1	Slang Lufffilter (Inlopp)
	54672563	1	Element (primärt) (hög dammnivå)	54653092	1	1	Slang Lufffilter (hög dammnivå)
	54672597	1	Element (sekundärt) (hög dammnivå)	54653118	1	1	Slang Lufffilter (hög dammnivå)
	38008587	1	Sats Separatorfilterinsats (O-ring medföljer)	39572409	1	1	Slang, dränering
	54721329	1	Filter, drivning	39573118	1	1	Slang, avblåsning
				54658216	1	1	Slang, kylarinlopp
							Olja
				54658091	1	1	Slang, kylarinlopp
							Luft
				54658232	1	1	Slang, kylarutlopp
							Olja
<b>SMÖRJMEDEL</b>				<b>MOTOR</b>			
	92837085	1l	ULTRA COOLANT	22087738	1	1	Motor N55k N75H (380–480V)
	92692284	5l	ULTRA COOLANT	22073704	1	1	Motor N75k N100H (380–480V)
	92692292	25l	ULTRA COOLANT	93473312	1	1	Fläktmotor 4Kw 50Hz
	39433735	5gal	ULTRA COOLANT	39493754	1	1	Fläktmotor 5HP 200V TEFC 60Hz
	39433743	55gal	ULTRA COOLANT	39493093	1	1	Fläktmotor 5HP 230/460/575V 60Hz
				39496096	1	1	Fläktmotor 5HP 380V TEFC 60Hz
<b>SKRUVPAKET</b>							
	54700067	1	axeltätningssats – skruvpaket				
	54742051	1	Skruvpaket, utbyte				

### 3.0 REKOMMENDERADE RESERVDELAR

#### FÄLTALTERNATIV

42509844	1	Filteruppgraderingssats hög dammnivå
22064646	1	Filter
42508978	1	<b>P.O.R.O – SATS</b>
42509000	1	<b>RFI FILTER SATS</b>
42538355	1	Filter
22076913	1	Tryckgivare

#### DIAGNOSTIK

88168265	1	ULTRA COOLANT kontrollsats  (Europa / Afrika)
37990236	6	ULTRA COOLANT testsats  (Amerika)
89439285	1	ULTRA COOLANT testsats  (Asien)

#### LACKERING

38019840	12	Påbättringslack, sprayflaska, beige
38019824	12	Påbättringslack, sprayflaska, svart

### 3.0 ANBEFALTE RESERVEDELER

Del	ccn	Antall	Beskrivelse	Del	ccn	Antall	Beskrivelse
<b>SETT</b>				<b>VENTILER</b>			
1-4	42511139	1	<b>4000-SETT</b>	54687835	1	1	<b>SETT-INNTAKSVENTIL</b>
		1	Luffilter	54686803	1	1	<b>SETT – MINSTETRYKK VENTIL</b>
		4	filter, ULTRA COOLANT	54664578	1	1	Avblåsningsventil
		1	Element Sett	54630546	1	1	Avlastningsventil CE
		1	PDM Filter	54699459	1	1	Avlastningsventil ASME
		1	ULTRA COOLANT testsett	54658315	1	1	Drensventil
	42516708	1	<b>PM 8000-SETT</b>	54700554	1	1	Tilbakeslagsventil, spylerråpning.
		1	Slange, kjølerinntak	54702212	1	1	Termostatventil
			Olje				
		1	Slange, kjølerinntak				
			Luft				
		1	Slange, kjølerutløp				
			Olje				
	54687835	1	<b>SETT-INNTAKSVENTIL</b>				
	54664578	1	Avblåsningsventil				
	54686803	1	<b>SETT – MINSTETRYKK VENTIL</b>				
<b>FORBRUKERARTIKLER</b>				<b>SLANGER</b>			
	54672654	2	filter, ULTRA COOLANT	54653043	1	1	Slange Luffilter
	54672530	1	Luffilter	54653068	1	1	Slange Luffilter (inntak)
	54672563	1	Primærelement (mye støv)	54653092	1	1	Slange Luffilter (mye støv)
	54672597	1	Sekundærelement (mye støv)	54653118	1	1	Slange Luffilter (mye støv)
	38008587	1	Sett Element (O-ring inkludert)	39572409	1	1	Spyleslange
	54721329	1	Drivfilter	39573118	1	1	Nedblåsningslange
				54658216	1	1	Slange, kjølerinntak
							Olje
				54658091	1	1	Slange, kjølerinntak
							Luft
				54658232	1	1	Slange, kjølerutløp
							Olje
<b>SMØREMIDLER</b>				<b>MOTOR</b>			
	92837085	1l	ULTRA COOLANT	22087738	1	1	Motor N55k N75H (380-480V)
	92692284	5l	ULTRA COOLANT	22073704	1	1	Motor N75k N100H (380-480V)
	92692292	25l	ULTRA COOLANT	93473312	1	1	Viftemotor 4Kw 50Hz
	39433735	5gal	ULTRA COOLANT	39493754	1	1	Viftemotor 5HP 200V TEFC 60Hz
	39433743	55gal	ULTRA COOLANT	39493093	1	1	Viftemotor 5HP 230/460/575V 60Hz
				39496096	1	1	Viftemotor 5HP 380V TEFC 60Hz
<b>SKRUEENHET</b>							
	54700067	1	sett – skruenhet akseltetning				
	54742051	1	Skruenhet byttedel				



### 3.0 ANBEFALTE RESERVEDELER

#### FELTOPSJONER

42509844	1	Oppgraderingsset, filter for mye støv
22064646	1	Filter
42508978	1	<b>REPARASJONSSETT P.O.R.O</b>
42509000	1	<b>RFI FILTERSETT</b>
42538355	1	Filter
22076913	1	Trykkføler.

#### DIAGNOSTIKK

88168265	1	ULTRA COOLANT sjekksett (Europa / Afrika)
37990236	6	ULTRA COOLANT testsett (Nord- og Sør-Amerika)
89439285	1	ULTRA COOLANT testsett (Asia)

#### LAKK

38019840	12	Utbedringslakk, sprayboks, beige
38019824	12	Utbedringslakk, sprayboks, sort

### 3.0 VARAOSASUOSITUKSET

Osa	ccn	Määrä	Nimike	Osa	ccn	Määrä	Nimike
<b>VARAOSASARJAT</b>				<b>VENTTIILIT</b>			
1-4	42511139	1	<b>4000 –SARJA</b>	54687835	1	1	<b>SARJA – TULOVENTTIILI</b>
		1	Panos, ilmansuodatin	54686803	1	1	<b>SARJA – MINIMIPAINÉ-VENTTIILI</b>
		4	Suodatin, ULTRA COOLANT	54664578	1	1	Venttiili, paineenalennus–
		1	Panos, erotin Sarja	54630546	1	1	Venttiili, paineenalennus–CE
		1	PDM Suodatin	54699459	1	1	Venttiili, paineenalennus–ASME
		1	ULTRA COOLANT –testaussarja	54658315	1	1	Venttiili, tyhjennys–
				54700554	1	1	Venttiili, huuhteluakon tarkastus.
				54702212	1	1	Venttiili, termostaatti–
	42516708	1	<b>PM 8000 –SARJA</b>	<b>LETKUT</b>			
		1	Letku, jäähdyttimen sisäänmeno Öljy	54653043	1	1	Letku Suodatin, ilman–
		1	Letku, jäähdyttimen sisäänmeno Ilma	54653068	1	1	Letku Suodatin, ilman– (sisäänmeno)
		1	Letku, jäähdyttimen ulostulo Öljy	54653092	1	1	Letku Suodatin, ilman– (pölyisiin oloihin).
54687835	1	1	<b>SARJA – TULOVENTTIILI</b>	54653118	1	1	Letku Suodatin, ilman– (pölyisiin oloihin).
54664578	1	1	Venttiili, paineenalennus–	39572409	1	1	Letku, huuhtelu
54686803	1	1	<b>SARJA – MINIMIPAINÉ-VENTTIILI</b>	39573118	1	1	Letku, paineenalennus
				54658216	1	1	Letku, jäähdyttimen sisäänmeno Öljy
				54658091	1	1	Letku, jäähdyttimen sisäänmeno Ilma
				54658232	1	1	Letku, jäähdyttimen ulostulo Öljy
<b>KULUTUSTARVIKKEET</b>				<b>MOOTTORI</b>			
54672654	2	2	Suodatin, ULTRA COOLANT	22087738	1	1	Moottori N55k N75H (380–480V)
54672530	1	1	Panos, ilmansuodatin	22073704	1	1	Moottori N75k N100H (380–480V)
54672563	1	1	Panos (ensiö) (pölyisiin oloihin).	93473312	1	1	Puhallin, moottori 4Kw 50Hz
54672597	1	1	Panos (toisio) (pölyisiin oloihin).	39493754	1	1	Puhallin, moottori 5HP 200V TEFC 60Hz
38008587	1	1	Sarja Panos, erotin (O–renkas mukaan luettuna)	39493093	1	1	Puhallin, moottori 5HP 230/460/575V 60Hz
54721329	1	1	Suodatin, käyttö	39496096	1	1	Puhallin, moottori 5HP 380V TEFC 60Hz
<b>VOITELUVAINE</b>							
92837085	1l	1l	ULTRA COOLANT				
92692284	5l	5l	ULTRA COOLANT				
92692292	25l	25l	ULTRA COOLANT				
39433735	5gal	5gal	ULTRA COOLANT				
39433743	55gal	55gal	ULTRA COOLANT				
<b>PAINEILMAPUOLI</b>							
54700067	1	1	sarja – paineilmapuolen akselintivist				
54742051	1	1	Paineilmapuoli (vaihto–osa)				

### 3.0 VARAOSASUOSITUKSET

#### KENTÄLLÄ KÄYTETTÄVÄT LISÄVARUSTEET

42509844	1	Pölyisiin oloihin tarkoitettu suodattimen tehostussarja
22064646	1	Suodatin
42508978	1	<b>SARJA – P.O.R.O</b>
42509000	1	<b>SARJA – RFI SUODATIN</b>
42538355	1	Suodatin
22076913	1	Paineanturi

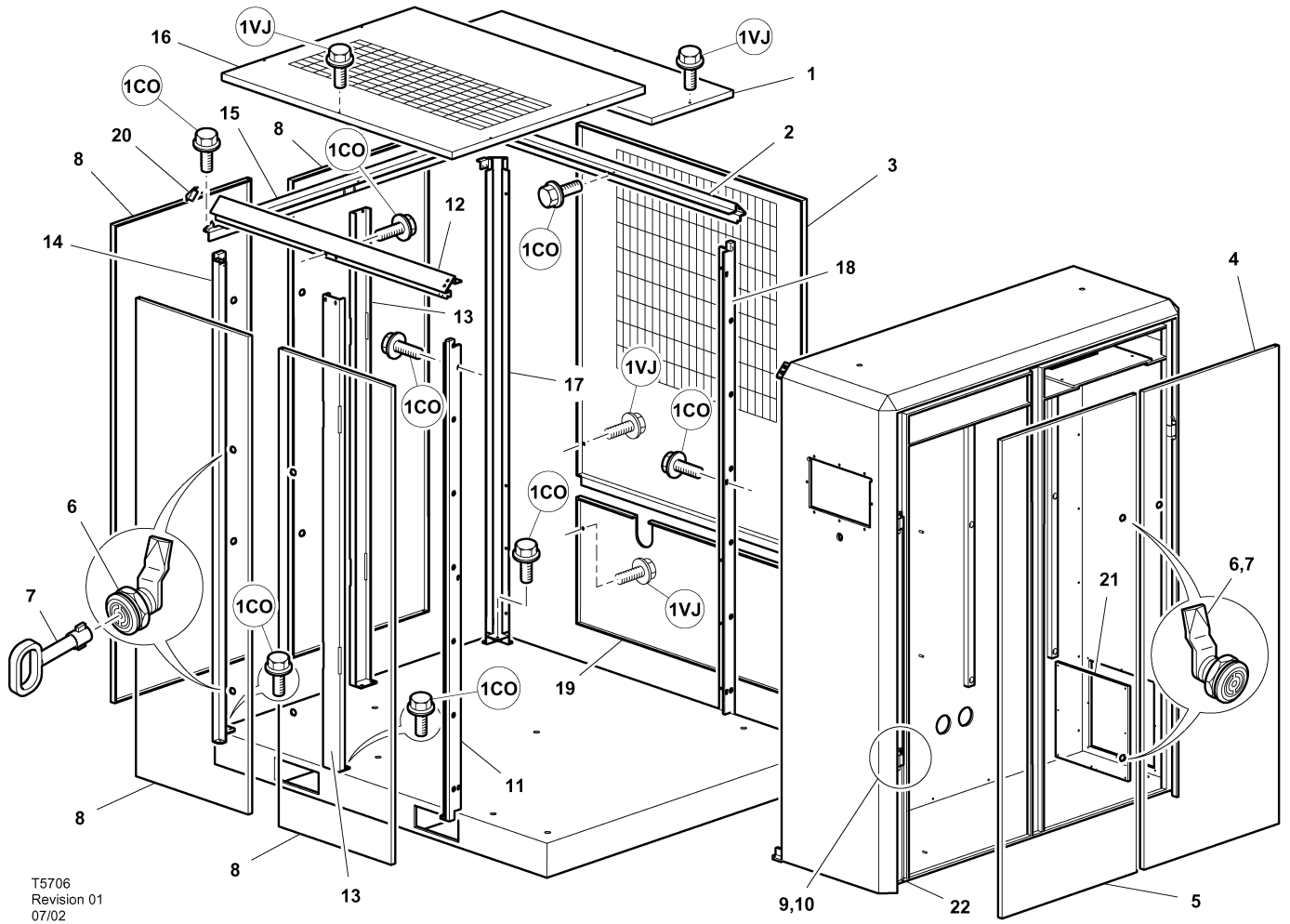
#### DIAGNOSTIIKKA

88168265	1	ULTRA COOLANT – tarkastussarja (Eurooppa / Afrikka)
37990236	6	ULTRA COOLANT –testaussarja (Koko Amerikka)
89439285	1	ULTRA COOLANT –testaussarja (Aasia)

#### MAALI

38019840	12	Korjausmaali, aerosoli, beige
38019824	12	Korjausmaali, aerosoli, musta.

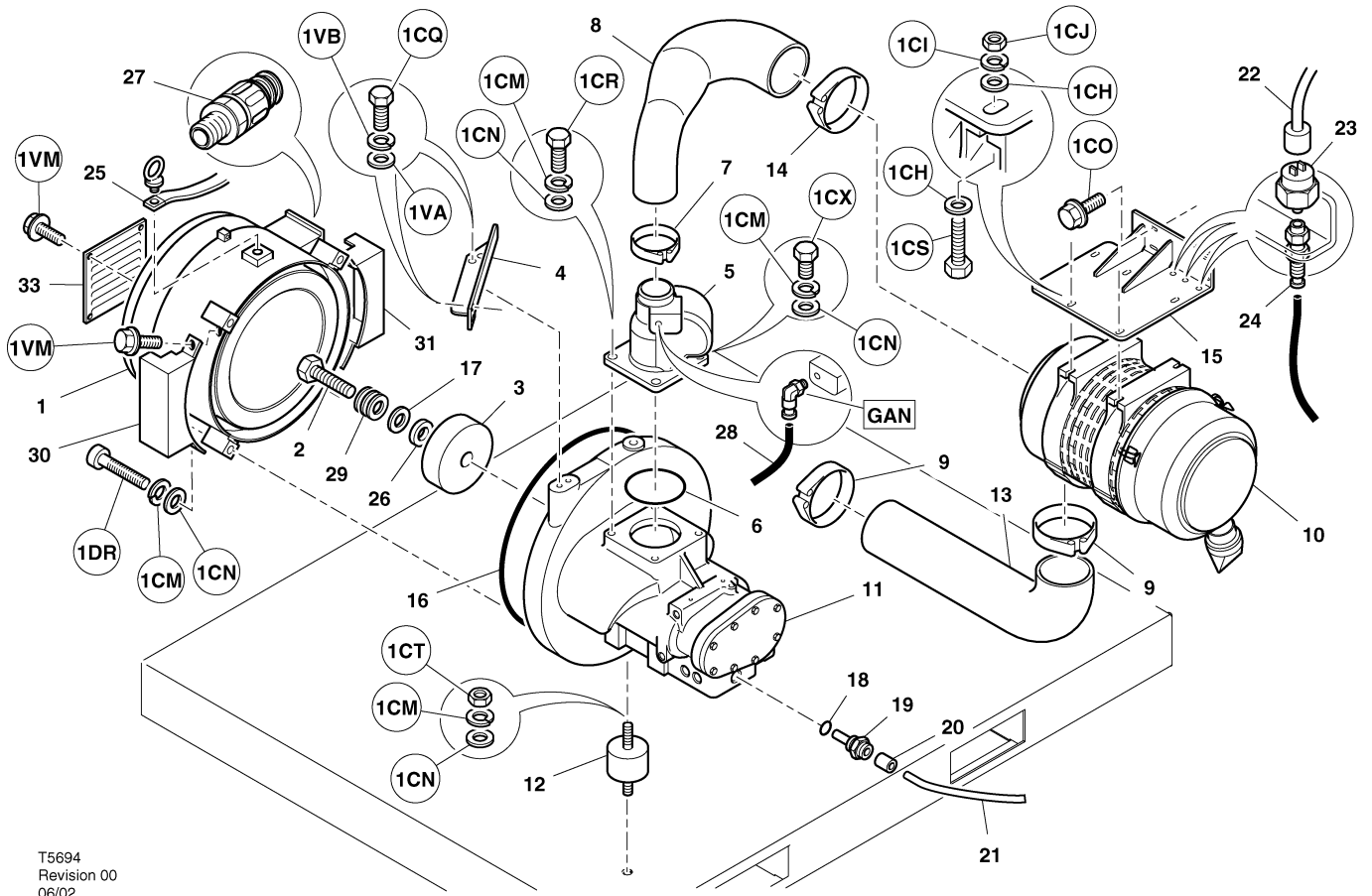
## 4.0 ENCLOSURE



T5706  
Revision 01  
07/02

Item	ccn	Qty.	Description	Item	ccn	Qty.	Description
1	54698519	1	Panel	13	54643739	2	Column
2	54672613	1	Rail	14	54672571	1	Corner post Front
3	22055545	1	Panel	15	54665203	1	Rail
4	22299093	1	Door	16	54698527	1	Panel
5	22299093	1	Door	17	54672589	1	Corner post Rear
6	93525400	12	Latch	18	54643820	1	Strip, filler Rear
7	89295091	1	Key	19	22055529	1	Panel, rear
8	54698485	4	Panel, front	20	54668728	2	Corner
9	93580157	12	Hinge	21	54721329	1	Filter
10	93580140	12	Pin, hinge	22	92789379	12m	Door seal
11	54643812	1	Strip, filler Front				
12	54672605	1	Rail				

## 5.0 AIREND / MOTOR / INLET SYSTEM



T5694  
Revision 00  
06/02

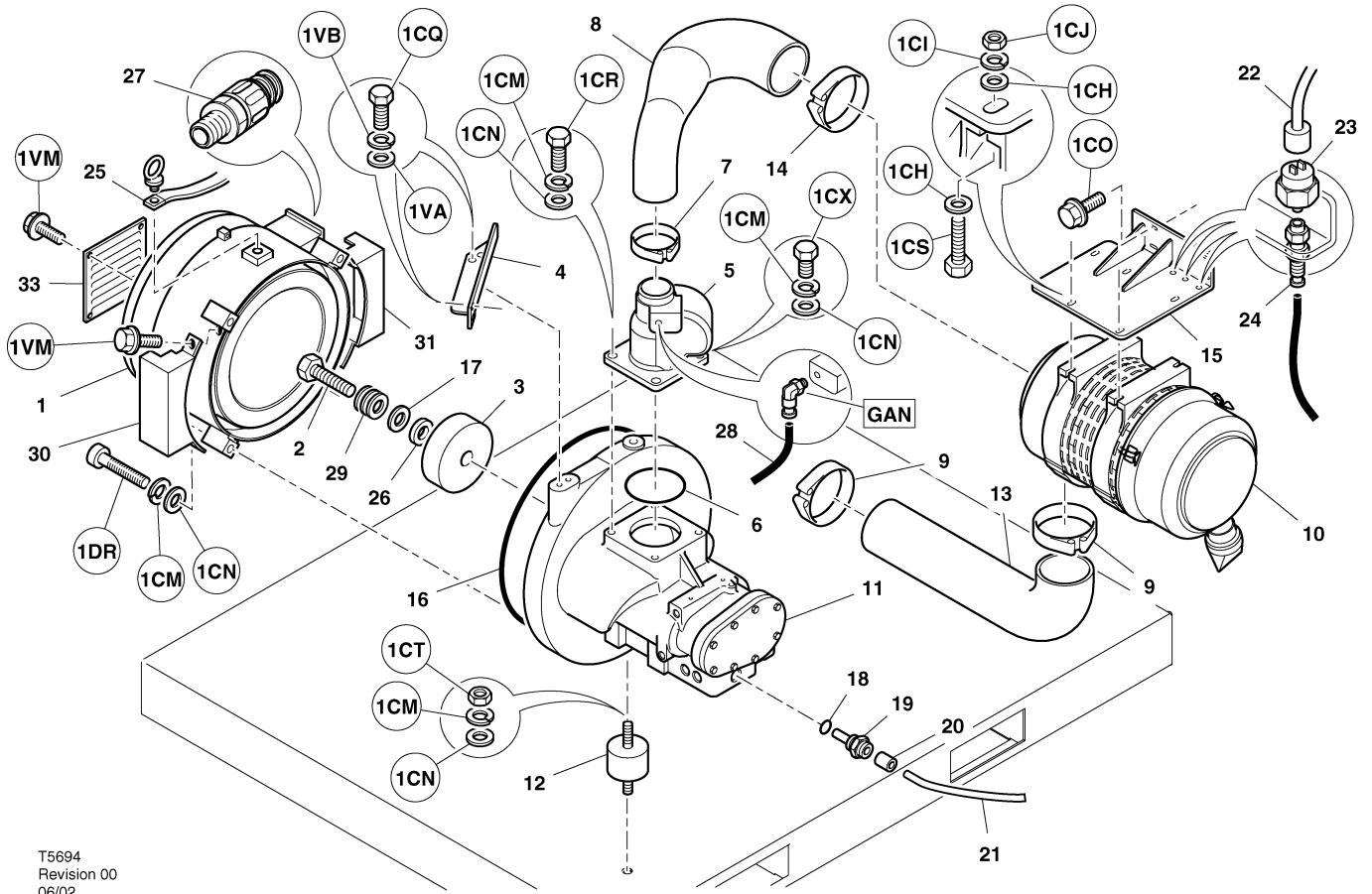
Item	ccn	Qty.	Description	Item	ccn	Qty.	Description
1	22087738	1	Motor, stator N55k N75H (380–480V)	10	54652573	1	Filter assembly (Standard)
1	22073704	1	Motor, stator N75k N100H (380–480V)	*	54672530	1	Element, air filter
1	22087720	1	Motor, stator N55k N75H (200–230V)	*	54652581	1	Filter assembly (High-dust)
2	22056303	1	Bolt	*	54672563	1	Element, air filter (High-dust)
3	54671698	1	Motor, rotor	*	54672597	1	Element (Secondary) (High-dust)
4	54667936	1	Bracket	11	54669684	1	Airend (New) Refer to text below
5	54643051	1	Valve, intake		54742051	1	Airend (exchange) Refer to text below
6	95023107	1	'O' Ring	12	54648571	1	Mount, airend
7	39110556	1	Clamp (Standard)				
†	39307871	1	Clamp (High-dust)				
8	54653068	1	Hose, flexible (Standard)				
†	54653118	1	Hose, flexible (High-dust)				
9	92280239	1	Clamp (Standard)				
†	92280239	1	Clamp (High-dust)				

Ingersoll-Rand's Airend Exchange Program provides you with the opportunity to eliminate expensive downtime in the case of airend maintenance.

You may choose to exchange your airend for a new or remanufactured airend, built by extensively trained IR technicians. You will also receive an airend warranty and eligibility for AirCare by participating in the program.

See your local IR representative for a quotation.

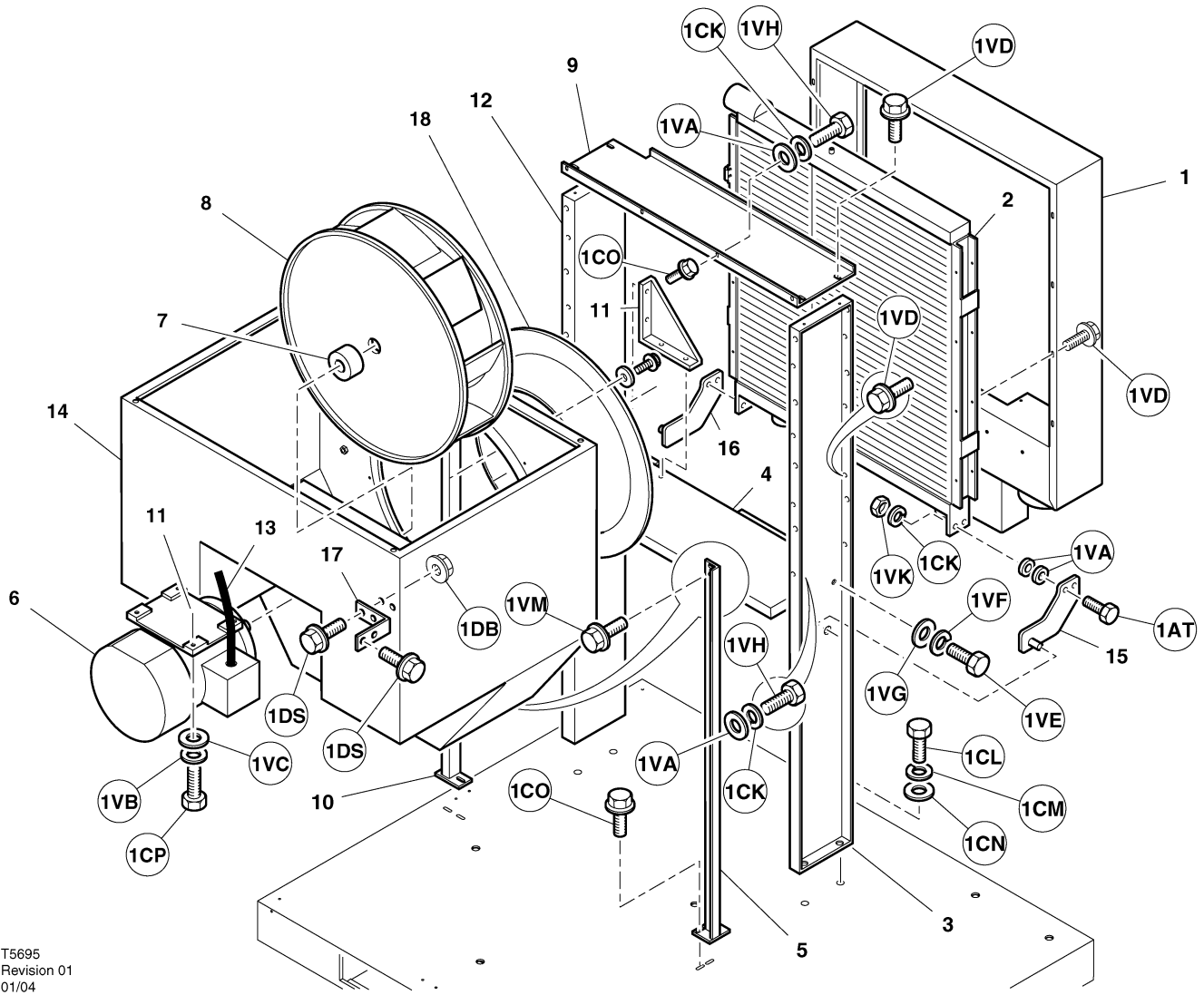
## 5.0 AIREND / MOTOR / INLET SYSTEM



T5694  
Revision 00  
06/02

Item	ccn	Qty.	Description	Item	ccn	Qty.	Description
13	54653043	1	Hose, flexible (Standard)	26	22056279	1	Spacer
†	54653092	1	Hose, flexible (High-dust)	27	22133193	1	Conduit, main motor
14	92085885	1	Clamp (Standard)	28	39124813	2m	Tube
†	92275239	1	Clamp (High-dust)	29	22055560	3	Washer (curved)
15	54656863	1	Bracket	30	22103766	1	Panel RH
16	54672001	1	Gasket	31	22103717	1	Panel LH
17	22054456	1	Washer	32	22100887	1	Louvre
18	39404165	1	'O' Ring	*33	42543967	1	Kit, stator rotor removal
19	39419668	1	High air temperature switch			1	Tool, rotor bolt removal
20	95952388	1	Connector			1	Tool, starter removal
21	54732086	1	Conduit	*34	54716683	1	Kit, Hall effect sensor
22	39875570	3	Cable	*35	42527275	1	Kit, rotor retention
23	39875539	3	Transducer	*36	22362537	1	Shim set
24	39461868	3	Adaptor	*37	22363055	1	Gauge, feeler
25	39588363	1	Earth strap				

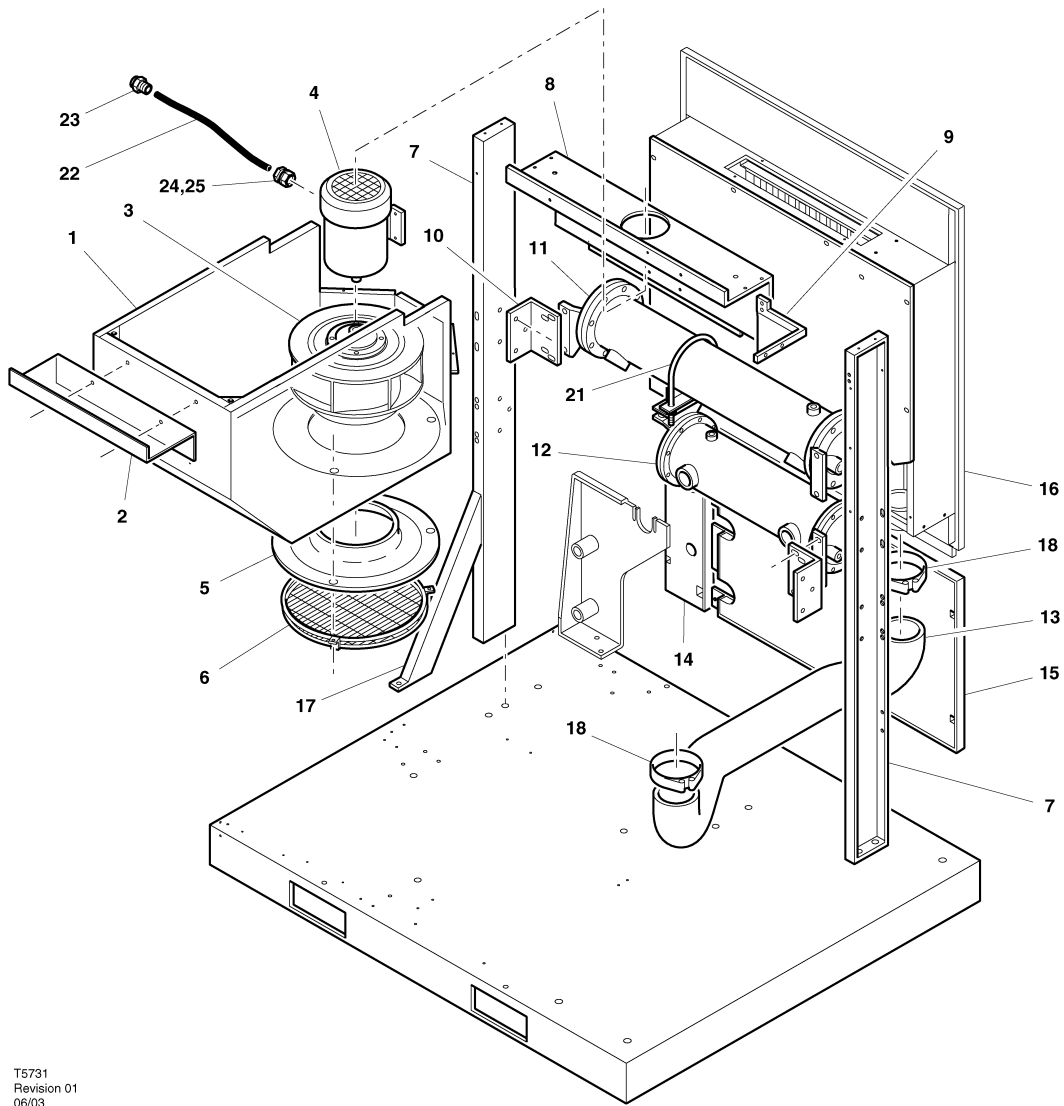
## 6.0 COOLING SYSTEM A/C



T5695  
Revision 01  
01/04

Item	ccn	Qty.	Description	Item	ccn	Qty.	Description
1	54717764	1	Intake plenum – Support / Cowl	10	54687454	1	Support
2	54650825	1	Cooler	11	54740634	1	Diverter
3	54673926	1	Support	12	54673918	1	Support
4	54686308	1	Bottom plenum cover	13	22298277	1	Cable, assembly
5	54667167	1	Support	14	54640487	1	Blower, housing
6	22371157	1	Motor (4kw)	15	22076798	1	Pivot LH
7	54701461	1	Bushing	16	22076780	1	Pivot RH
8	54715438	1	Blower	17	22090336	1	Bracket
9	54673900	1	Top plenum cover	18	22333546	1	Cone

## 6.0 COOLING SYSTEM W/C

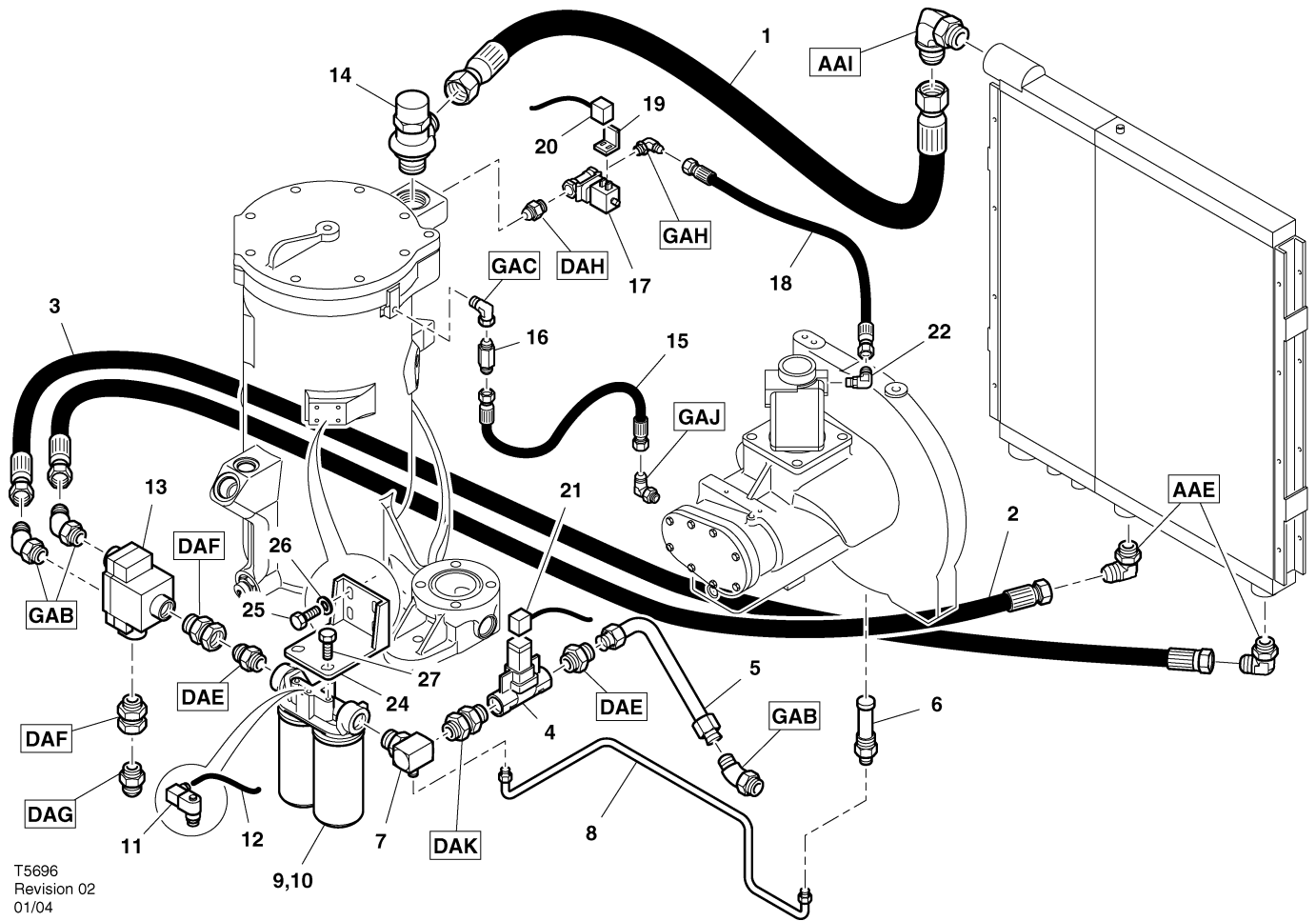


T5731  
Revision 01  
06/03

Item	ccn	Qty.	Description	Item	ccn	Qty.	Description
1	22070742	1	Duct	12	54752290	1	Aftercooler
2	22112858	1	Bracket	13	54653043	1	Hose
3	22070932	1	Blower (60hZ)	14	22098289	1	Panel
	22970940	1	Blower (50hZ)	15	22098271	1	Panel
4	22125090	1	Motor (0.5hp 380v 60Hz)	16	22094692	1	Panel
	22113369	1	Motor (0.5hp 460v 60Hz)	17	22089742	1	Support
	88116579	1	Motor (0.38Kw 400v 50Hz)	18	92280239	2	Clamp
5	22070924	1	Flange	*19	22132690	1	Foam (Low noise option)
6	22091516	1	Guard	*20	22132708	1	Foam (Low noise option)
7	22087308	2	Support	21	22070718	1	Hanger
8	22070684	1	Support	22	22112973	1	Cable
9	22097125	1	Bracket	22	22298285	1	Cable Modular drive
10	22070700	2	Bracket	23	54716931	1	Gland, cable
11	54754809	1	Cooler Oil	24	39256375	1	Gland, cable
				25	39114079	1	Nut, gland



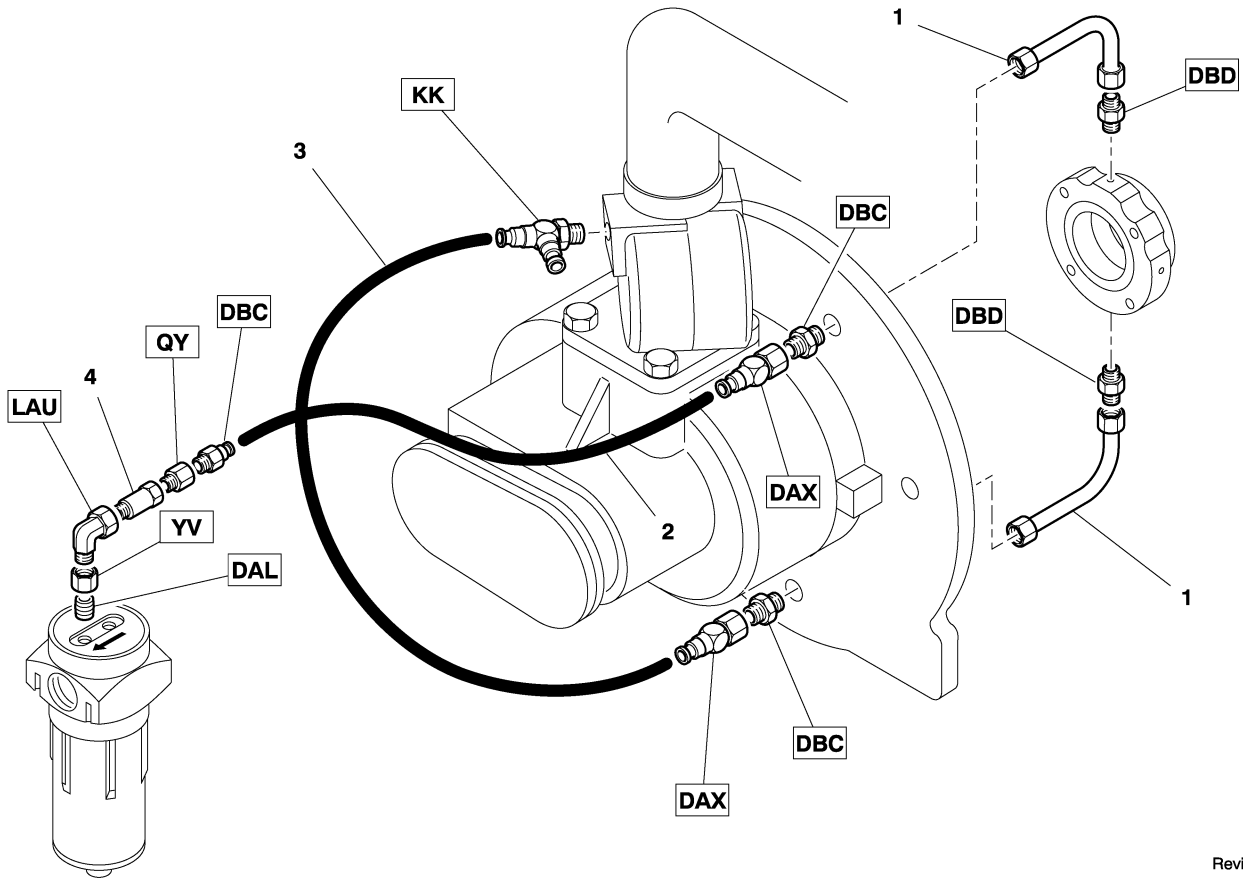
## 7.0 OIL / AIR PIPING A/C



T5696  
Revision 02  
01/04

Item	ccn	Qty.	Description	Item	ccn	Qty.	Description
1	54658091	1	Hose assembly	17	54664578	1	Valve, blowdown
2	54658216	1	Hose assembly	18	39572011	1	Hose assembly
3	54658232	1	Hose assembly	19	93198232	1	Suppressor
4	22050090	1	Valve, solenoid	20	54689955	1	Cable
5	22058390	1	Tube assembly	21	22066385	1	Cable
6	22058374	1	Connector	22	39171517	1	Elbow
7	22055818	1	Manifold	*23	54636576	1	Orifice, injection (N55K, N75H)
8	22058408	1	Tube assembly	*23	54636584	1	Orifice, injection (N75K, N100H)
9	54652607	1	Filter, coolant	24	54656459	1	Bracket
10	54672654	2	Element, coolant	25	96702824	4	Screw M8 x 20
11	92511302	1	Switch, oil pressure	26	96741467	4	Lockwasher M8
12	54689930	1	Cable	27	96726914	2	Screw M10 x 25
13	54702212	1	Valve, thermostatic				
14	54643168	1	Valve, minimum pressure				
15	39572409	1	Hose assembly				
16	54700554	1	Valve, check				

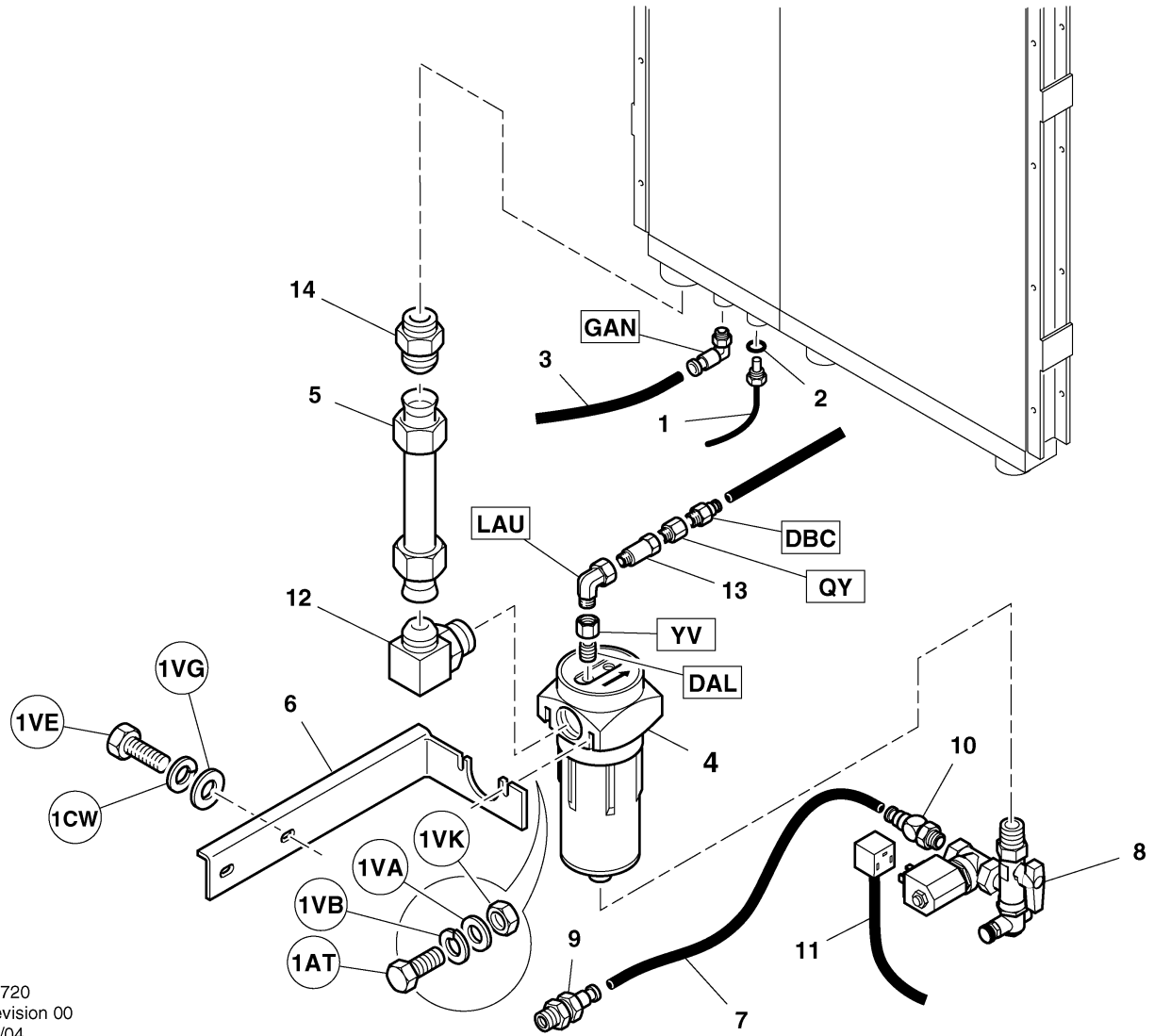
## 7.0 OIL / AIR PIPING



T5697  
Revision 01  
02/04

Item	ccn	Qty.	Description	Item	ccn	Qty.	Description
1	54747332	2	Tube assembly	3	39124813	1	Tube (Nylon)
2	39124813	1	Tube (Nylon)	4	39418769	1	Screen, scavenge

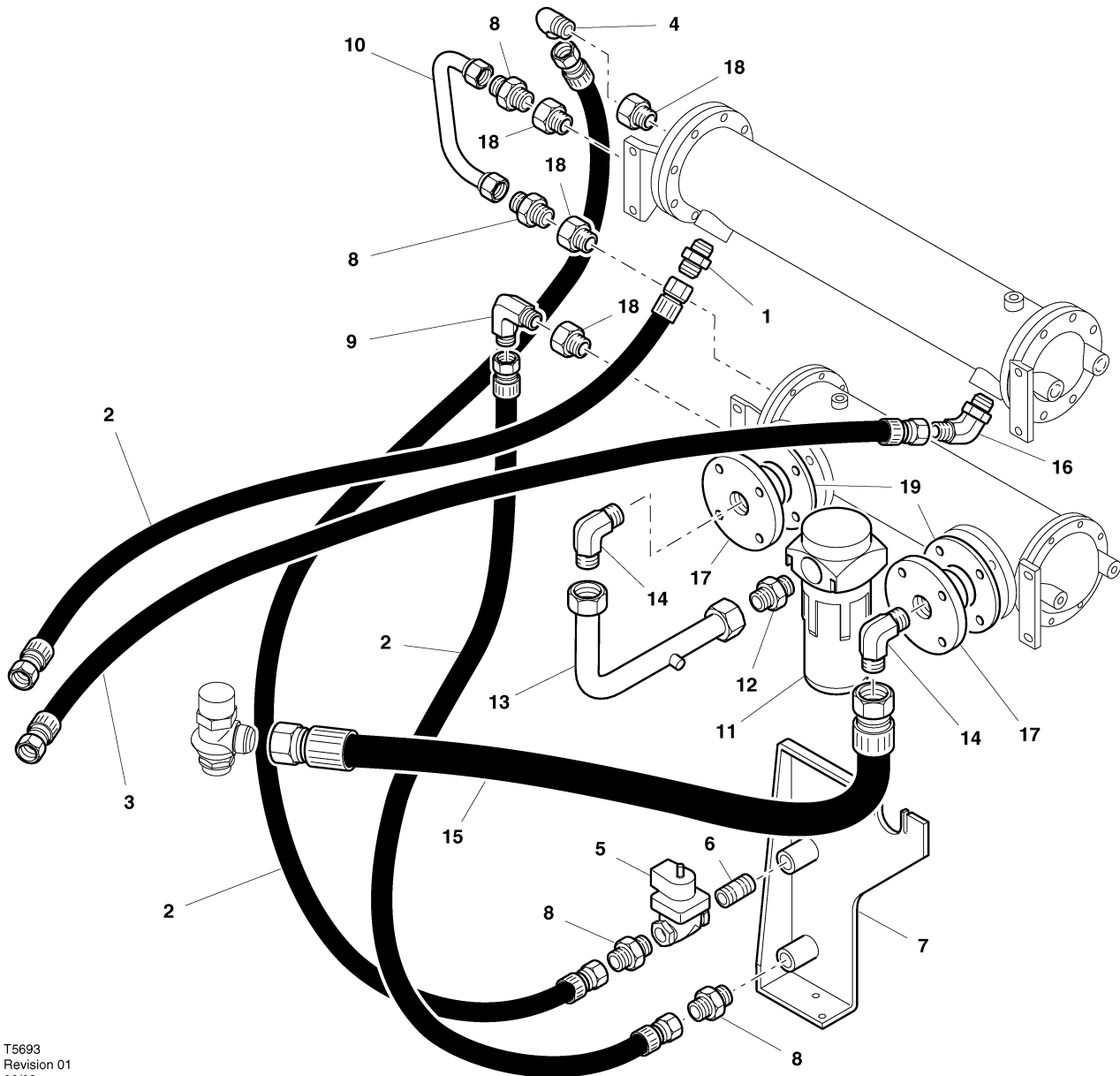
## 7.0 OIL / AIR PIPING A/C



T5720  
Revision 00  
01/04

Item	ccn	Qty.	Description	Item	ccn	Qty.	Description
1	39560628	1	Sensor	9	39156427	1	Adaptor
2	39404157	1	'O' Ring	10	34156419	1	Connector
3	39124813	90"	Tube	11	22187728	1	Cable
4	22309272	1	Separator, water (NPT)	12	22188072	1	Elbow
4	22186951	1	Separator, water (BSP)	13	39120563	1	Screen, scavenge
5	22055453	1	Tube assembly	14	22187694	1	Connector
6	54664685	1	Bracket	*15	22219026	1	Connector, bulkhead
7	39124821	10"	Tube				*Not Illustrated
8	22130439	1	Valve, electric drain (9SV)				

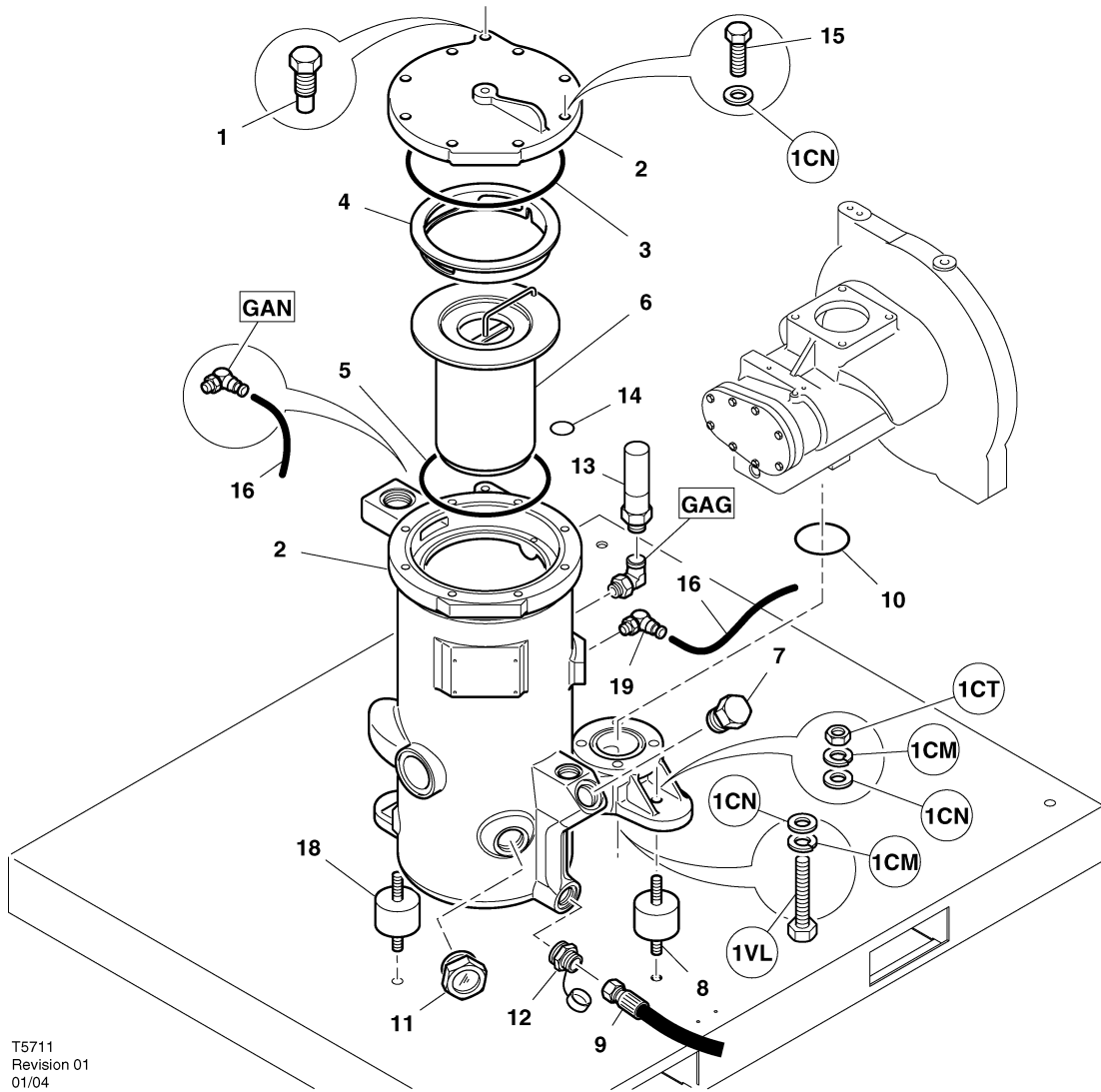
## 7.0 OIL / AIR PIPING W/C



T5693  
Revision 01  
06/03

Item	ccn	Qty.	Description	Item	ccn	Qty.	Description
1	95974291	1	Connector	11	22309272	1	Separator, water (NPT)
2	39572508	3	Hose assembly	12	95937561	1	Connector
3	54658216	1	Hose assembly	13	22105795	1	Tube assembly
4	95937645	1	Elbow	14	95937678	2	Elbow
5	39479803	1	Valve	15	39590211	1	Hose assembly
6	95946117	1	Nipple	16	39476965	1	Elbow
7	22097661	1	Manifold	17	39479845	2	Reducer
8	95937520	4	Connector	18	95941043	4	Reducer
9	95937538	1	Elbow	19	39454525	2	Gasket
10	22105589	1	Tube assembly				
11	22186951	1	Separator, water (BSP)				

## 8.0 SEPARATION SYSTEM

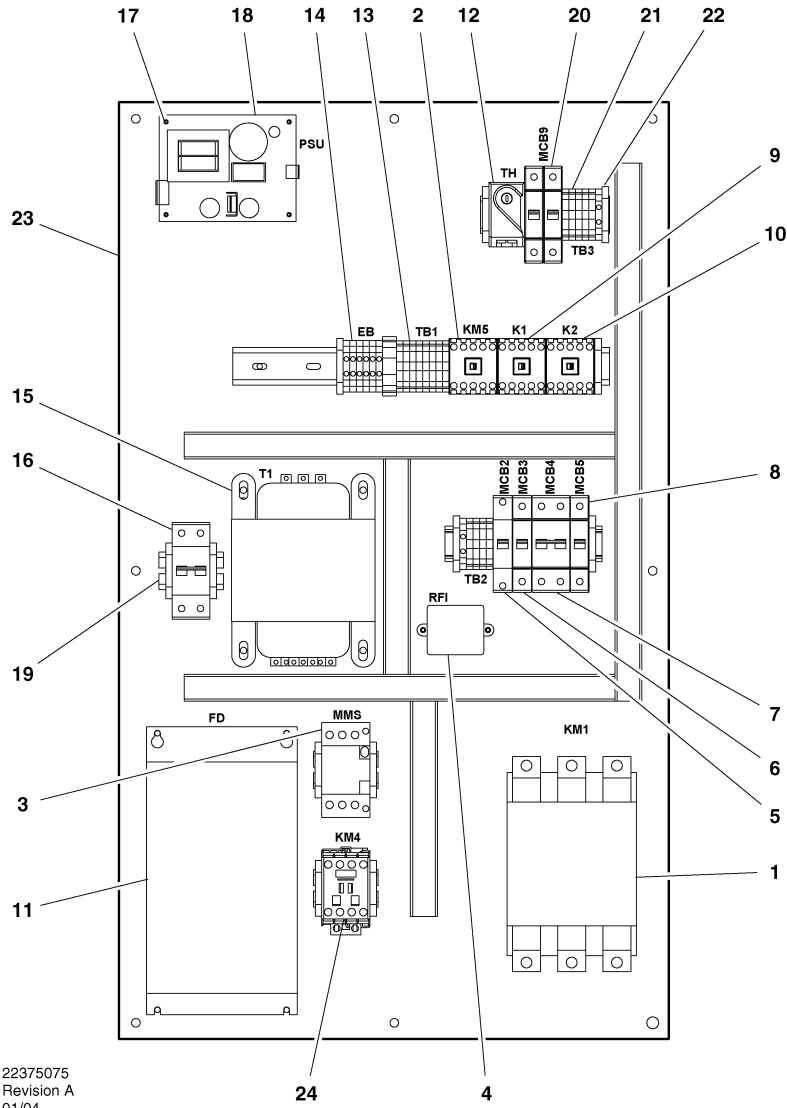


T5711  
Revision 01  
01/04

Item	ccn	Qty.	Description	Item	ccn	Qty.	Description
1	54692660	1	Bolt, pivot	8	54648589	1	Mount, separator tank
2	54630165	1	Tank, separator ASME/Lloyds	9	89207062	1	Hose assembly
	54630173	1	Tank, separator CE -10°C	10	54639752	1	'O' Ring
	54630199	1	Tank, separator CE -20°C	11	39476916	1	Sight-glass
3	54639737	1	'O' Ring (Supplied with Element Kit)	12	54658315	1	Valve, drain
4	54639851	1	Spacer	13	54630546	1	Valve, safety CE
5	54639711	1	'O' Ring (Supplied with Element Kit)	13	54699459	1	Valve, safety ASME
6	38008587	1	Element, separator Kit	14	92877620	1	'O' Ring (Supplied with Element Kit)
7	22182240	1	Plug Ultra Coolant	15	54725395	8	Screw
7	39478953	1	Plug Coolant, food grade	16	39124813	2x	Tube 96"
				*17	89265979	1	Clip, hose
				18	54648571	1	Mount, separator tank
				19	22377311	1	Elbow

# 9.0 ELECTRICAL SYSTEM

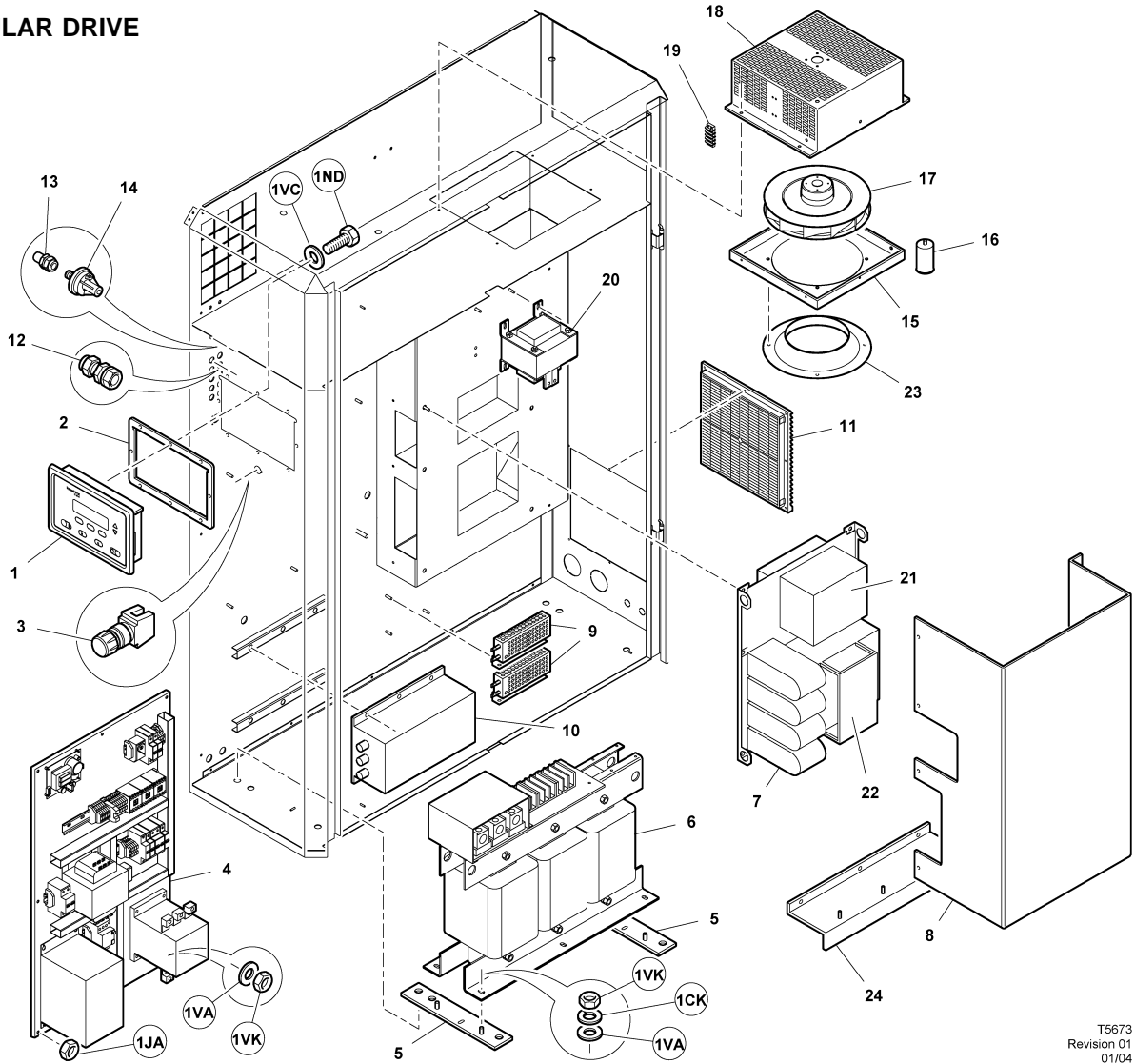
## MODULAR DRIVE



Item	ccn	Qty.	Description	Item	ccn	Qty.	Description
1	22252027	1	Contactora KM1, N55 200–230V	11	22375059	1	Drive, Fan motor 400V
	22252019	1	Contactora KM1, N55/75 380–575V		22375067	1	Drive, Fan motor 200V
2	22379580	1	Contactora KM5	12	54766928	1	Thermostat
3	22056428	1	Breaker, motor starter (A/C) MMS, N55 200–230V	13	54718523	1	Block, terminal
	22112536	1	Breaker, motor starter MMS (W/C) N55/75 200–575V	14	54718531	1	Terminal, earth
	54689898	1	Breaker, motor starter (A/C) MMS, N55/75 380–575V	15	22251870	1	Transformer N55 200–230V
4	54719174	1	Radio Frequency Interference Filter		22242390	1	Transformer N55/75 380–575V
5	54689849	1	Circuit breaker MCB2, N55/75	16	54729637	1	Circuit breaker MCB1
6	54689880	1	Circuit breaker MCB3, N55/75 380–575V	17	54641337	1	Power supply unit
7	22135800	1	Circuit breaker MCB4, N55/75	18	54729561	4	Standoff
8	54689864	1	Circuit breaker MCB5, N55/75	19	39252937	12	Stop, end
9	54718457	1	Contactora K1	20	54689872	1	Circuit breaker MCB9
10	54718457	1	Contactora K2	21	39252903	8	Block, terminal
				22	39252911	1	Terminal, earth
				23	22375083	1	Backplate
				24	22135743	1	Contactora KM4 N55/75 (WC only)

# 9.0 ELECTRICAL SYSTEM

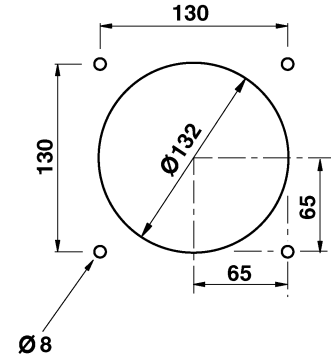
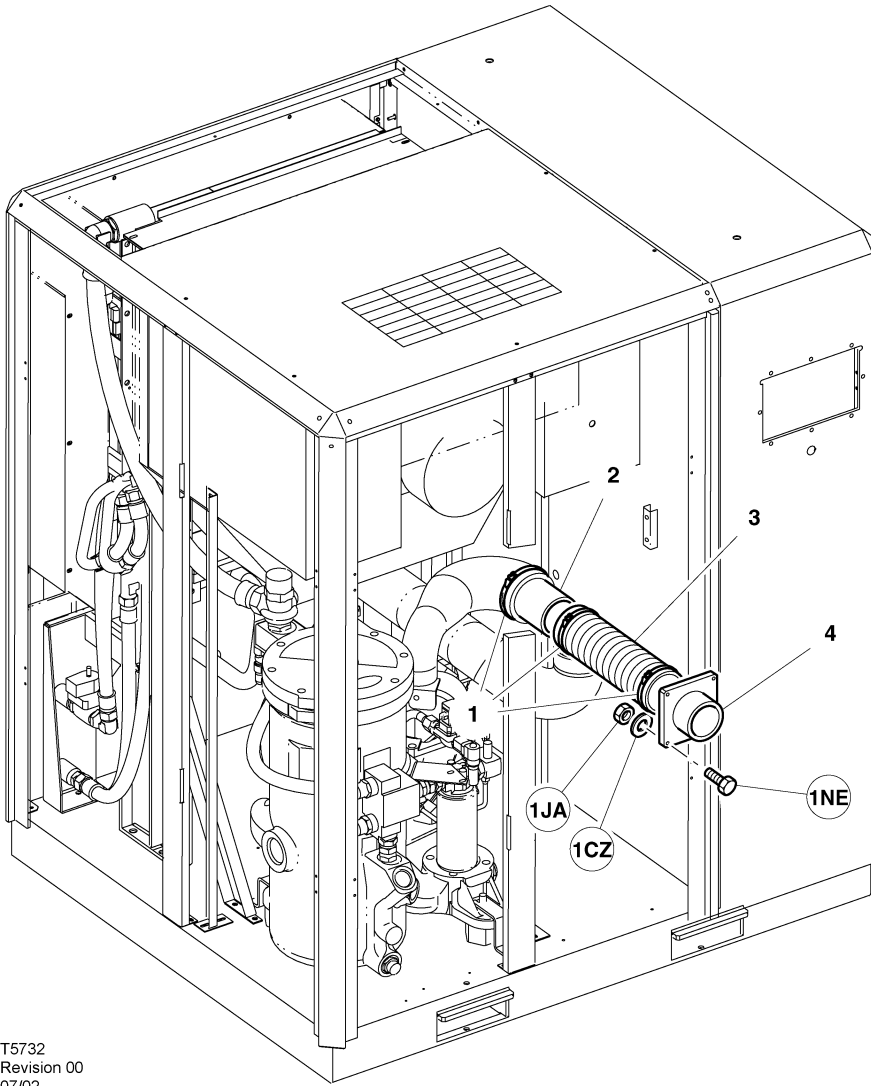
## MODULAR DRIVE



T5673  
Revision 01  
01/04

Item	ccn	Qty.	Description	Item	ccn	Qty.	Description
1	54642129	1	Controller, INTELLISYS	14	39127741	1	Switch, vacuum
2	39874375	1	Gasket	15	22245765	1	Guard
3	54690896	1	Button, emergency stop	16	22249544	1	Capacitor
4	22375950	1	Backplate N55 200-230V	17	22242085	1	Fan, ventilation
	22375984	1	Backplate N55/75 380-575V	18	22240253	1	Housing
5	22067110	2	Plate	19	22226914	1	Terminal, contact block
6	22238653	1	Transformer 80kva (575V machines only)	20	22236434	1	Choke, DC N55 200-230V
*6a	22071724	3	Cable (575V machines only)		22208110	1	Choke, DC N55 380-480V
7	22250757	1	Module, output N55 200-230V		22208128	1	Choke, DC N45 380-480V
	22248553	1	Module, output N55 380-480V	21	22250740	1	Module, input N55 200-230V
	22248496	1	Module, output N75 380-480V		22248546	1	Module, input N55 380-480V
8	22248892	1	Cover, drive		22248488	1	Module, input N75 380-480V
9	22186878	2	Heater	22	22193940	1	Module, control
10	22108559	1	Filter, RFI N55/75 Optional	23	22157515	1	Cone, inlet
11	54697370	1	Filter assembly	24	22284855	1	Cover
12	54716931	8	Cable gland				*Not Illustrated
13	50677459	1	Connector, bulkhead				

# 10.0 OPTION – EXTERNAL FILTERS

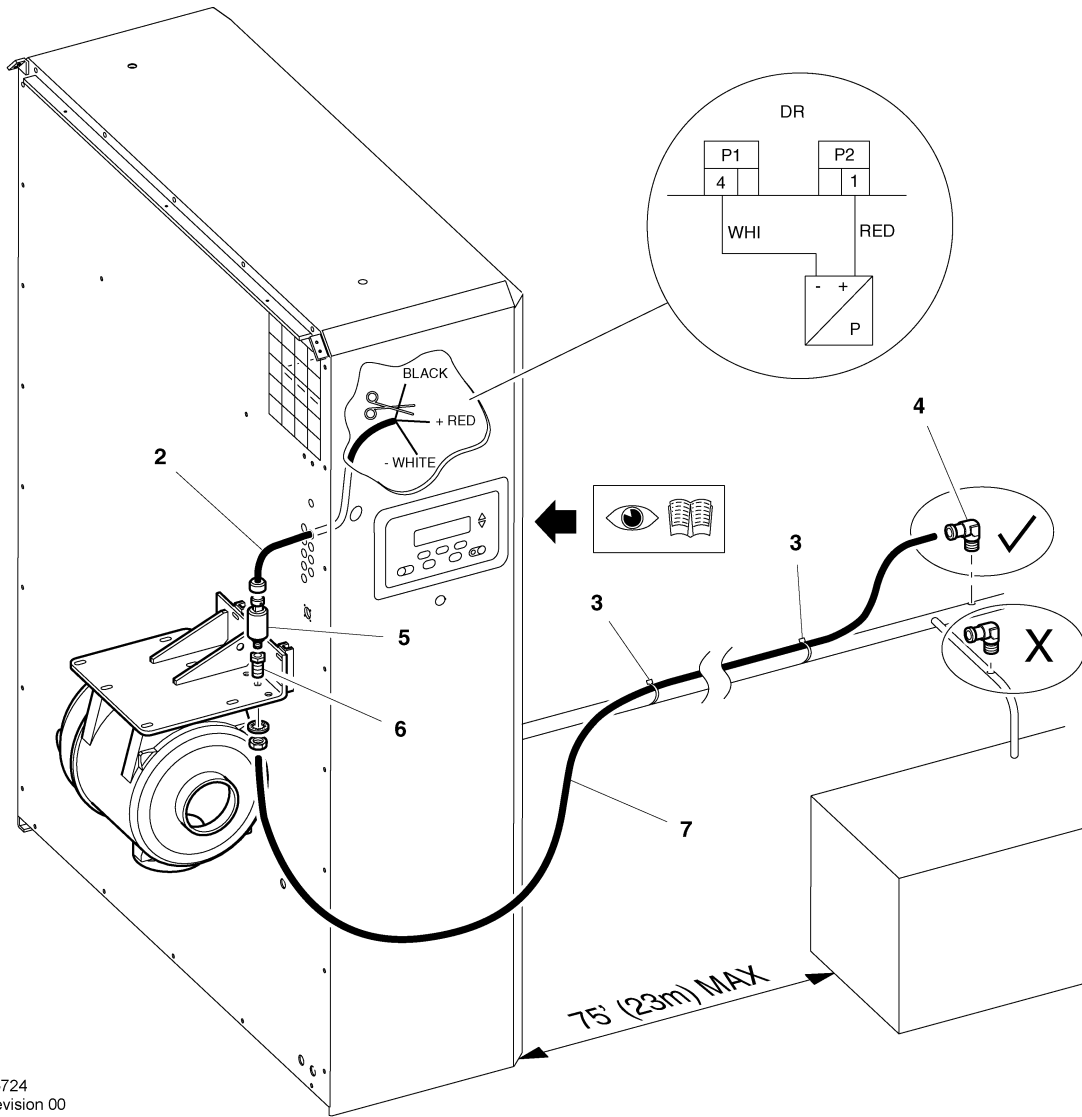


T5732  
Revision 00  
07/02

Item	ccn	Qty.	Description	Item	ccn	Qty.	Description
1	39117536	3	Clamp	4	22052674	1	Flange
2	22052633	1	Coupling	*5	22052617	1	Instructions
3	22052666	1	Hose				

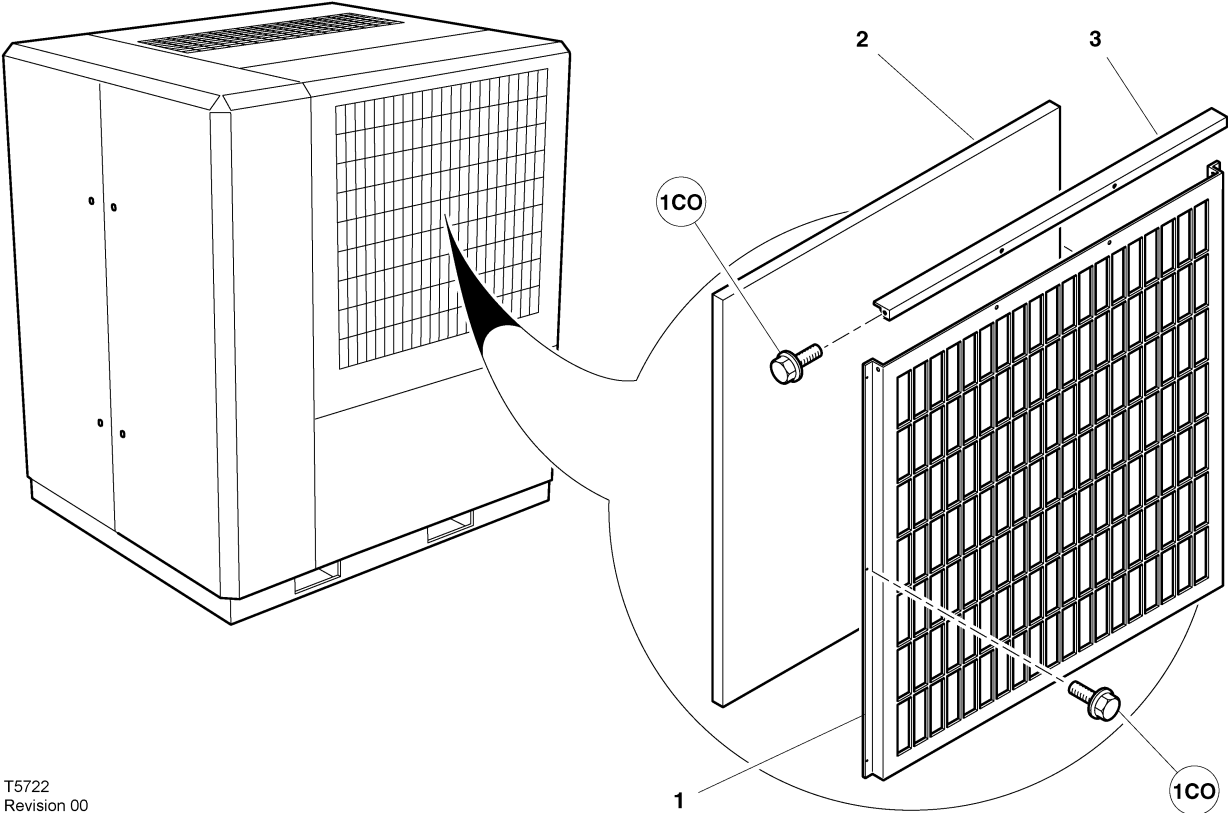


# 10.0 OPTION – REMOTE SENSING



Item	ccn	Qty.	Description	Item	ccn	Qty.	Description
1	22076905	1	Instructions	5	54592092	1	Transducer, pressure
2	39875570	1	Cable	6	39461868	1	Connector, bulkhead
3	35268788	1	Clip, retaining	7	39124813	999"	Tube (Nylon)
4	39155478	1	Elbow				

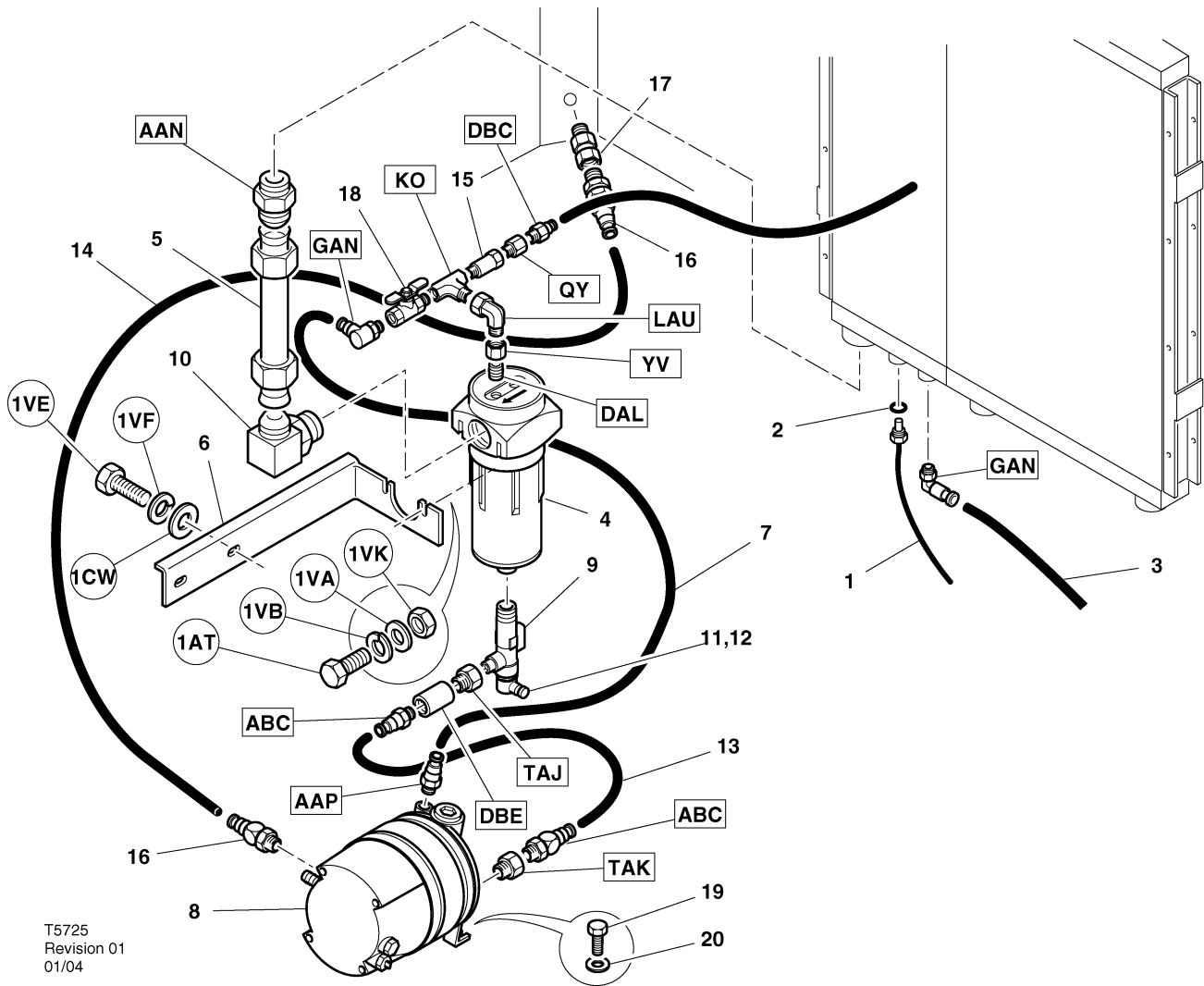
# 10.0 OPTION – PRE-FILTER



T5722  
Revision 00  
04/02

Item	ccn	Qty.	Description	Item	ccn	Qty.	Description
1	54764972	1	Housing	3	54764998	1	Cover
2	54765011	1	Element	*4	54764931	1	Instructions

## 10.0 OPTION – NO LOSS DRAIN



Item	ccn	Qty.	Description	Item	ccn	Qty.	Description
1	39560628	1	Sensor	11	38000154	1	Filter
2	39404157	1	'O' Ring	12	95480273	1	'O' Ring
3	39124813	84"	Tube (Nylon)	13	39124821	13"	Tube (Nylon)
4	22309272	1	Separator, water (NPT)	14	39124821	48"	Tube (Nylon)
	22186951	1	Separator, water (BSP)	15	39120563	1	Screen, scavenge
5	22055453	1	Tube assembly	16	39156427	2	Connector
6	54664685	1	Bracket	17	22219026	1	Connector, bulkhead
7	39124813	30"	Tube (Nylon)	18	39105713	1	Valve
8	42529883	1	Trap, Water	19	96742689	2	Screw
9	54381090	1	Valve, drain	20	96727581	2	Washer
10	95994174	1	Adaptor (NPT)				
	22057392	1	Adaptor (BSP)				

## 11.0 LITERATURE

Item	ccn	Qty.	Description	Item	ccn	Qty.	Description
*1-2	54731286	1	Manual, Operation and Maintenance, with parts catalog US English	*5-6	22068084	1	Manual, Operation and Maintenance, with parts catalog US Portuguese
*1	54731245	1	Manual, Operation and Maintenance US English	*5	22068068	1	Manual, Operation and Maintenance US Portuguese
*2	54723499	1	Manual, Parts catalog US English	*6	54723499	1	Manual, Parts catalog US Portuguese
*3-4	54731294	1	Manual, Operation and Maintenance, with parts catalog US Spanish	*7-8	54719117	1	Manual, Operation and Maintenance, with parts catalog EU
*3	54731252	1	Manual, Operation and Maintenance US Spanish	*7	54719091	1	Manual, Operation and Maintenance EU
*4	54733499	1	Manual, Parts catalog US Spanish	*8	54723499	1	Manual, Parts catalog EU

## 12.0 GLOSSARY OF NON-ILLUSTRATED ITEMS

Language	Translation	Language	Translation	Language	Translation
GB	* Not illustrated	GB	Foam (Low noise option)	GB	Manual, Operation and Maintenance, with parts catalogue
F	* Non illustré	F	Mousse (Option silencieuse)	F	Manuel d'utilisation et de pièces détachées
P	* Não ilustrado	P	Espuma (Opção de nível baixo de ruído)	P	Manual de operação e manutenção, com lista de peças
I	* Non illustrato	I	Schiuma (Opzione bassa rumorosità)	I	Libro d'uso e manutenzione, con lista ricambi
E	* No dibujado	E	Espuma (Opción de bajo ruido)	E	Manual de manejo y mantenimiento, con lista de repuestos
NL	* Niet geïllustreerd	NL	Isolatie (Geluidsarme optie)	NL	Bedienings- en onderhoudshandboek, onderdelenkatalogus
D	* Nicht abgebildet	D	Schaum (Geräuscharm)	D	Betriebs- und Wartungshandbuch mit Ersatzteilliste
DK	* Ikke illustreret	DK	Skum (Lavstøjsoption)	DK	Drifts- og vedligeholdelsesmanual, med reservedelsliste
S	* Ej visat	S	Ljudisolering (Lågbullrande alternativ)	S	Drifts- och underhållsinstruktion med reservdelslista
N	* Ikke illustrert	N	Skum (Lav støjopsjon)	N	Instruksjonsbok, med delekatalog
SF	* Ei kuvaa	SF	Vaahtomuovi (vaimennettu muunnos)	SF	Ohjekirja, käyttö ja huolto sekä varaosaluettelo
GB	† Option	GB	Instructions	GB	Manual, Operation and Maintenance
F	† Option	F	Instructions	F	Manuel d'utilisation et d'entretien
P	† Opções	P	Instruções	P	Manual de operação e manutenção
I	† Opzionale	I	Istruzioni	I	Libro d'uso e manutenzione
E	† Opcion	E	Instrucciones	E	Manual de manejo y mantenimiento
NL	† Extra	NL	Instrukties	NL	Bedienings- en onderhoudshandboek
D	† Sonder ausstattung	D	Unterricht	D	Betriebsanleitung und Ersatzteilliste
DK	† Tilbehør	DK	Vejlledning	DK	Drifts- og vedligeholdelsesmanual
S	† Tillval	S	Instruktioner	S	Drifts- och underhållsinstruktion
N	† Ekstraustyr	N	Ansvisninger	N	Instruksjonsbok
SF	† Lisävaruste	SF	Ohjeet	SF	Ohjekirja, käyttö ja huolto
GB	Clip, hose	GB	Kit, Hall effect sensor	GB	Manual, Operation and Maintenance
F	Fixation flexible	F	Kit, capteur d'effet Hall.	F	Manuel d'utilisation et d'entretien
P	Braçadeira, tubo	P	Kit, sensor de velocidade.	P	Manual de operação e manutenção
I	Fascetta per tubo	I	Kit, sensore effetto Hall	I	Libro d'uso e manutenzione
E	Clip de manguera	E	Kit de detección de la velocidad	E	Manual de manejo y mantenimiento
NL	Slangklem	NL	Set, sensor hall-effect.	NL	Bedienings- en onderhoudshandboek
D	Schlauch – Befestigungsclip	D	Kit, Halleneffektsensor	D	Betriebsanleitung und Ersatzteilliste
DK	Spændebånd, slange	DK	Fartmålersæt	DK	Drifts- og vedligeholdelsesmanual
S	Slangklämma	S	Varvtalsdetektorsats	S	Drifts- och underhållsinstruktion
N	Låseklips	N	Sett til Halleffektføler	N	Instruksjonsbok
SF	Kiristin, letkun-	SF	Hall-anturisarja (nopeusanturisarja)	SF	Ohjekirja, käyttö ja huolto
GB	Element, air filter	GB	Kit, rotor retention	GB	Tool, rotor bolt removal
F	Élément, filtre à air	F	Kit de rétention du rotor.	F	Outil; dépose du boulon de rotor.
P	Elemento de filtro de ar	P	Kit, retenção rotor	P	Ferramenta, remoção do parafuso do rotor.
I	Elemento filtro aria	I	Kit, ritenuta rotore	I	Utensile, smontaggio del bullone del rotore.
E	Elemento filtro de aire	E	Retención de rotor del kit	E	Herramienta, para desmontar el perno del rotor
NL	Luchtfilter element	NL	Pakket, rotorbevestiging	NL	Hulpmiddel voor het verwijderen van rotorbout
D	Luftfilterelement	D	Kit, Rotorsicherungs	D	Werkzeug, Rotorschraubenentfernung
DK	Luftfilterelement	DK	Sæt, rotoropretholdelse	DK	Værktøj, aftagning af rotorbolt
S	Luftfilterinsats	S	Sats, rotorfaste	S	Verktøy, rotorboltbortagning
N	Luftfilter	N	Sett, rotorsikring	N	Verktøy for fjerning av rotorbolt
SF	Panos, ilmansuodatin	SF	Sarja, roottorin kiinnikkeet	SF	Roottorin pultin irrotin
GB	Element (Secondary)	GB	Manual, Parts catalogue		
F	Élément (secondaire)	F	Catalogue de pièces détachées		
P	Elemento (Secundário)	P	Lista de peças		
I	Elemento (secondario)	I	Lista ricambi		
E	Elemento (secundario)	E	Lista de repuestos		
NL	Element (Tweede)	NL	Onderdelenkatalogus		
D	Sekundärelement	D	Teile- Liste		
DK	Element (sekundært)	DK	Reservedelsliste		
S	Element (sekundært)	S	Reservdelslista		
N	Sekundärelement	N	Delekatalog		
SF	Panos (toisio)	SF	Ohjekirja, varaosaluettelo		
GB	Filter assembly				
F	Filtre complet				
P	Filtro completo				
I	Gruppo filtri				
E	Conjunto filtro				
NL	Filter compleet				
D	Filterbaugruppe				
DK	Filtermonteringssæt				
S	Komplett filter				
N	Filter, komplett				
SF	Suodatinasennelmä				

## 13.0 FASTENERS INDEX

Code	Description	CCN
OA	Screw	35579630
1AT	Screw	96701917
1CH	Washer	96701396
1CI	Washer, Spring	96741467
1CJ	Nut	96701370
1CK	Washer, Spring	96726633
1CL	Screw	96738372
1CM	Washer, Spring	96721097
1CN	Washer	96705645
1CO	Screw	39917489
1CP	Screw	39185376
1CQ	Screw	96705496
1CR	Screw	96703186
1CS	Screw	96705587

Code	Description	CCN
1CT	Nut	96711882
1CU	Screw	96470638
1CW	Washer	96701412
1CX	Screw	96702337
1CZ	Washer	96727581
1DB	Nut	96704416
1DR	Bolt	96740683
1DS	Screw	96727797
1JA	Nut	96704234
1ND	Screw	39128988
1NE	Screw	96704531
1NF	Screw	96708052
1NG	Screw	96704564

Code	Description	CCN
1VA	Washer	96701404
1VB	Washer, Spring	96726633
1VC	Washer	39232590
1VD	Screw	39917498
1VE	Screw	96701495
1VF	Washer, Spring	96739933
1VG	Washer	96700844
1VH	Screw	96702279
1VJ	Screw	54699368
1VK	Screw	96704812
1VL	Screw	96741269
1VM	Screw	39917489

### Tube Fittings Index

Code	Description	CCN
LZ	Elbow	39155577
KK	Tee	39155346
KO	Tee	95940672
QY	Orifice	39418769
YN	Connector, bulkhead	39461868
YV	Coupling	95790127
AAE	Elbow	95938171
AAI	Adaptor	39140512
AAN	Adaptor	95994190
AAP	Adaptor	39156435
ABB	Adaptor	54598784
ABC	Adaptor	39156427
DAE	Connector	95938148

### Tube Fittings Index

Code	Description	CCN
DAF	Connector	95992640
DAG	Adaptor	95974291
DAH	Connector	95928040
DAK	Adaptor	95938106
DAL	Nipple	95343679
DAM	Nipple	95992384
DAN	Connector, bulkhead	54766936
DAX	Connector	39156443
DBC	Connector	95973301
DBD	Connector	95951208
DBE	Connector	95980959
GAB	Elbow	95992632
GAC	Elbow	54676176

### Tube Fittings Index

Code	Description	CCN
GAG	Elbow	95928172
GAH	Elbow	95937637
GAI	Elbow	95984563
GAJ	Elbow	39490230
GAN	Elbow	39155478
GAS	Elbow	39155759
LAA	Elbow	95938163
LAS	Elbow	39155460
LAT	Elbow	54533674
LAU	Elbow	95868386
TAJ	Reducer	95940748
TAK	Reducer	95245353

## 14.0 CCN INDEX

CCN & PAGE	CCN & PAGE	CCN & PAGE	CCN & PAGE	CCN & PAGE	CCN & PAGE
21726001, 35	22105795, 34	22375059, 36	39573118, 4	54658315, 4, 35	54719117, 42
22050090, 31	22108559, 37	22375067, 36	39588363, 28	54664578, 4, 31	54719174, 36
22052617, 38	22112536, 36	22375083, 36	39590211, 34	54664685, 33, 41	54721329, 4, 26
22052633, 38	22112858, 30	22375950, 37	39874375, 37	54665203, 26	54723499, 42
22052666, 38	22112973, 30	22375984, 37	39875539, 28	54667167, 29	54725395, 35
22052674, 38	22113369, 30	22377311, 35	39875570, 28, 39	54667936, 27	54729561, 36
22054456, 28	22125090, 30	22379580, 36	42508978, 5	54668728, 26	54729637, 36
22055453, 33, 41	22130439, 33	22970940, 30	42509000, 5	54669684, 27	54731245, 42
22055529, 26	22132690, 30	34156419, 33	42509844, 5	54671698, 27	54731252, 42
22055545, 26	22132708, 30	35268788, 39	42511139, 4	54672001, 28	54731286, 42
22055560, 28	22133193, 28	37990236, 5	42516708, 4	54672530, 4, 27	54731294, 42
22055818, 31	22135743, 36	38000154, 41	42527275, 28	54672563, 4, 27	54732086, 28
22056279, 28	22135800, 36	38008587, 4, 35	42529883, 41	54672571, 26	54733499, 42
22056303, 27	22157515, 37	38019824, 5	42538355, 5	54672589, 26	54740634, 29
22056428, 36	22182240, 35	38019840, 5	42543967, 28	54672597, 4, 27	54742051, 4, 27
22057392, 41	22186878, 37	39105713, 41	50677459, 37	54672605, 26	54747332, 32
22058374, 31	22186951, 33, 34, 41	39110556, 27	54381090, 41	54672613, 26	54752290, 30
22058390, 31	22187694, 33	39114079, 30	54592092, 39	54672654, 4, 31	54754809, 30
22058408, 31	22187728, 33	39117536, 38	54624754, 35	54673900, 29	54764931, 40
22064646, 5	22188072, 33	39120563, 33, 41	54630165, 35	54673918, 29	54764972, 40
22066385, 31	22193940, 37	39124813, 28, 32, 33, 35, 39, 41, 41	54630173, 35	54673926, 29	54764998, 40
22067110, 37	22208110, 37	39124821, 33, 41, 41	54630199, 35	54686308, 29	54765011, 40
22068068, 42	22208128, 37	39127741, 37	54630546, 4, 35	54686803, 4	54766928, 36
22068084, 42	22219026, 33, 41	39155478, 39	54636576, 31	54687454, 29	88116579, 30
22070684, 30	22226914, 37	39156427, 33, 41	54636584, 31	54687835, 4	88168265, 5
22070700, 30	22236434, 37	39171517, 31	54639711, 35	54689849, 36	89265979, 35
22070718, 30	22238653, 37	39252903, 36	54639737, 35	54689864, 36	89295091, 26
22070742, 30	22240253, 37	39252911, 36	54639851, 35	54689872, 36	89439285, 5
22070924, 30	22242085, 37	39252937, 36	54640487, 29	54689880, 36	92085885, 28
22070932, 30	22242390, 36	39256375, 30	54641337, 36	54689898, 36	92275239, 28
22071724, 37	22245765, 37	39307871, 27	54642129, 37	54689930, 31	92280239, 27, 30
22073704, 4, 27	22248488, 37	39404157, 33, 41	54643051, 27	54689955, 31	92511302, 31
22076780, 29	22248496, 37	39404165, 28	54643168, 31	54690896, 37	92692284, 4
22076798, 29	22248546, 37	39418769, 32	54643739, 26	54692660, 35	92692292, 4
22076905, 39	22248553, 37	39419668, 28	54643812, 26	54697370, 37	92789379, 26
22076913, 5	22248892, 37	39433735, 4	54643820, 26	54698485, 26	92837085, 4
22087308, 30	22249544, 37	39433743, 4	54648571, 27, 35	54698519, 26	93198232, 31
22087720, 27	22250740, 37	39454525, 34	54648589, 35	54698527, 26	93473312, 4
22087738, 4, 27	22250757, 37	39461868, 28, 39	54650825, 29	54699459, 4, 35	93525400, 26
22089742, 30	22251870, 36	39476965, 34	54652573, 27	54700007, 4	93580140, 26
22090336, 29	22252019, 36	39478953, 35	54652581, 27	54700554, 4, 31	93580157, 26
22091516, 30	22252027, 36	39479803, 34	54652607, 31	54701461, 29	95023107, 27
22094692, 30	22284855, 37	39479845, 34	54653043, 4, 28, 30	54702212, 4, 31	95480273, 41
22097125, 30	22298277, 29	39493093, 4	54653068, 4, 27	54715438, 29	95937520, 34
22097661, 34	22298285, 30	39493754, 4	54653092, 4, 28	54716683, 28	95937538, 34
22098271, 30	22299093, 26	39496096, 4	54653118, 4, 27	54716931, 30, 37	95937561, 34
22098289, 30	22309272, 33, 34, 41	39560628, 33, 41	54656459, 31	54717764, 29	95937645, 34
22100887, 28	22333546, 29	39572011, 31	54656863, 28	54718457, 36	95937678, 34
22103717, 28	22362537, 28	39572409, 4, 31	54658091, 4, 31	54718523, 36	95941043, 34
22103766, 28	22363055, 28	39572508, 34	54658216, 4, 31, 34	54718531, 36	95946117, 34
22105589, 34	22371157, 29	39572508, 34	54658232, 4, 31	54719091, 42	95952388, 28

## 14.0 CCN INDEX

---

CCN & PAGE	CCN & PAGE	CCN & PAGE	CCN & PAGE	CCN & PAGE	CCN & PAGE
95974291, 34	96702824, 31	96727581, 41	96742689, 41		
95994174, 41	96726914, 31	96741467, 31			

---





